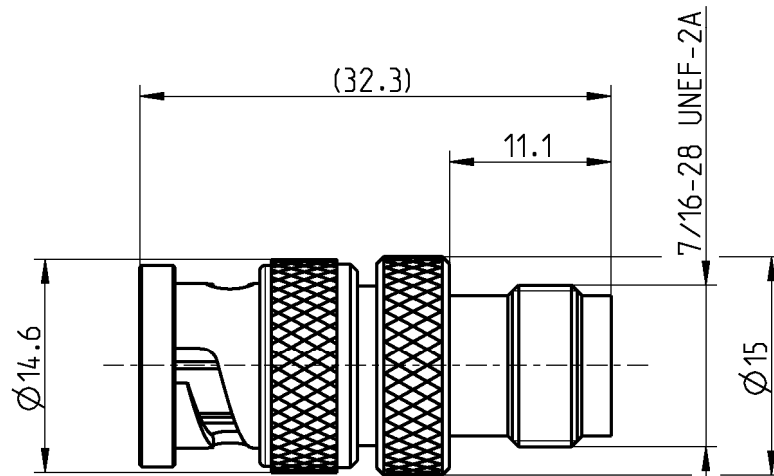
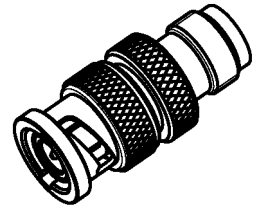


adaptor  
bnc 50 Ω plug - TNC 50 Ω jack

**51S156-K00N5**

All dimensions are in mm; tolerances according to ISO 2768 m-H

**Interface**

According to            BNC side:            IEC 60169-8, MIL-PRF-39012, CECC 22120  
                                 TNC side:            IEC 60169-17, MIL-PRF-39012, DIN EN 122200

**Documents**

N/A

**Material and plating****Connector parts**

Center contact BNC and TNC side  
Outer contact BNC and TNC side  
Body  
Dielectric  
Gasket

**Material**

CuBe  
Brass  
Brass  
PTFE  
NeopreneCR 50C6

**Plating**

AuroDur®, gold plated  
Flash white bronze over silver(e.g. Optargen®)  
Flash white bronze over silver(e.g. Optargen®)

adaptor  
bnc 50 Ω plug - TNC 50 Ω jack

**51S156-K00N5**

**Electrical data**

Impedance	50 Ω
Frequency	DC to 10 GHz
Return loss	≥ 35 dB, DC to 1 GHz ≥ 30 dB, 1 to 2.5 GHz ≥ 20 dB, 2.5 to 4 GHz
Insertion loss	≤ 0.05 x √ f [GHz] dB, DC to 4 GHz
Insulation resistance	≥ 5 x10 <sup>3</sup> MΩ
Center contact resistance	≤ 1.5 mΩ, BNC and TNC side
Outer contact resistance	≤ 1 mΩ, BNC and TNC side
Test voltage	1500 V rms
Working voltage	400 V rms
Power handling (at 20 °C, sea level, VSWR 1.0)	≤ 80 W @ 2 GHz

**Mechanical data**

	BNC side	TNC side
Mating cycles	min. 500	min. 500
Center contact captivation: axial	≥ 15 N	≥ 15 N
Coupling test torque	N/A	max. 1.7 Nm
Recommended torque	N/A	0.46 Nm to 0.69 Nm

**Environmental data**

Temperature range	-55°C to +155°C
Thermal shock	MIL-STD-202, Meth. 107, Cond. B
Corrosion	MIL-STD-202, Meth. 101, Cond. B
Vibration	MIL-STD-202, Meth. 204, Cond. B
Shock	MIL-STD-202, Meth. 213, Cond. G
Moisture resistance	MIL-STD-202, Meth. 106
RoHS	compliant

**Tooling**

N/A

**Suitable cables**

N/A

**Weight**

Weight 19.2 g/pce

While the information has been carefully compiled to the best of our knowledge, nothing is intended as representation or warranty on our part and no statement herein shall be construed as recommendation to infringe existing patents. In the effort to improve our products, we reserve the right to make changes judged to be necessary.

Draft	Date	Approved	Date	Rev.	Engineering change number	Name	Date
Chr. Entfellner	17/07/08	Sa. Krautenbacher	18.03.14	e00	14-0352	T. Krojer	18.03.14
Rosenberger Hochfrequenztechnik GmbH & Co. KG P.O.Box 1260 D-84526 Tittmoning Germany <a href="http://www.rosenberger.de">www.rosenberger.de</a>					Tel.: +49 8684 18-0 Fax: +49 8684 18-499 email: <a href="mailto:info@rosenberger.de">info@rosenberger.de</a>		Page 2 / 2