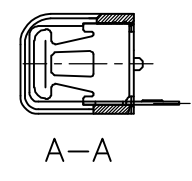
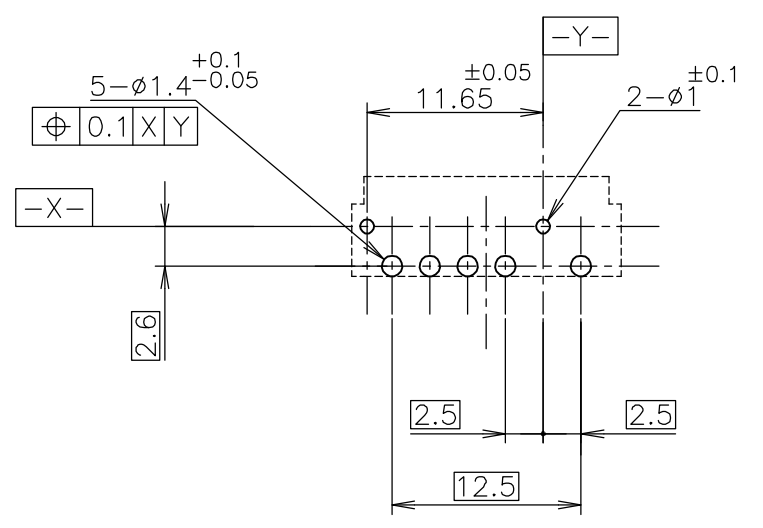
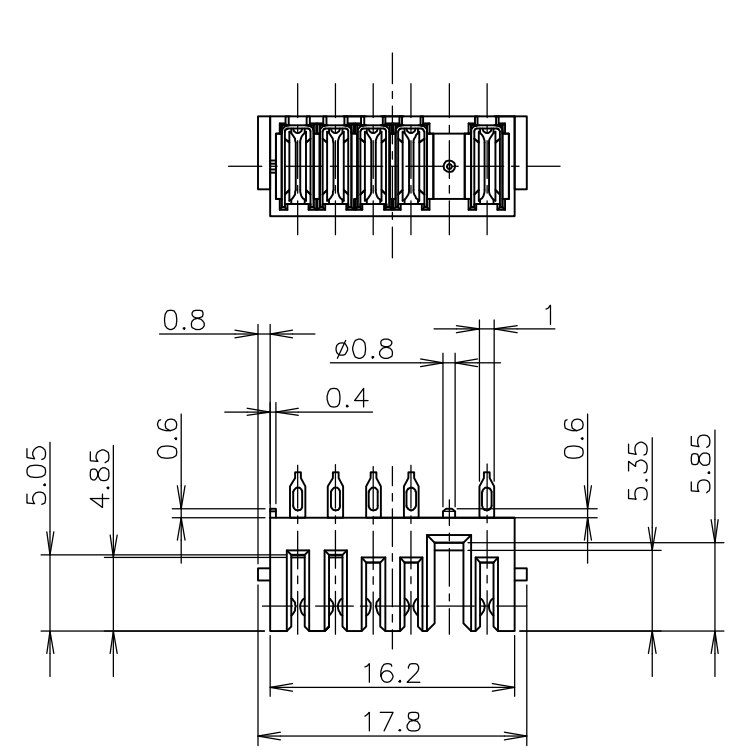
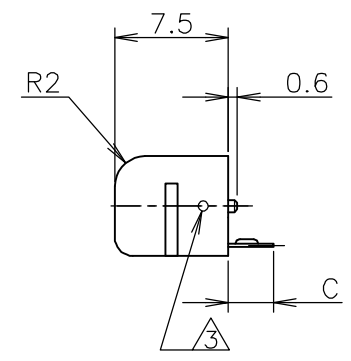
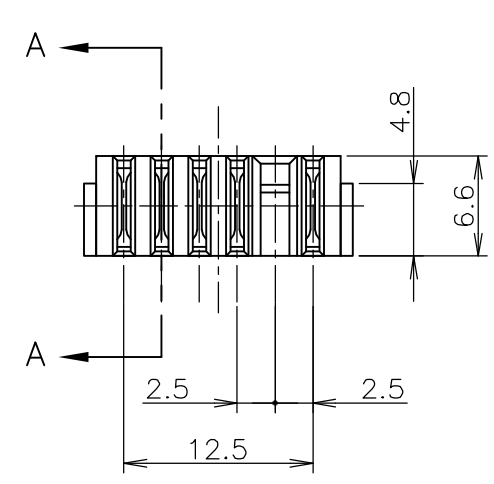


THIS DRAWING IS UNPUBLISHED. RELEASED FOR PUBLICATION DEC ,2001.
 © COPYRIGHT 2001 BY TYCO ELECTRONICS CORPORATION. ALL RIGHTS RESERVED.

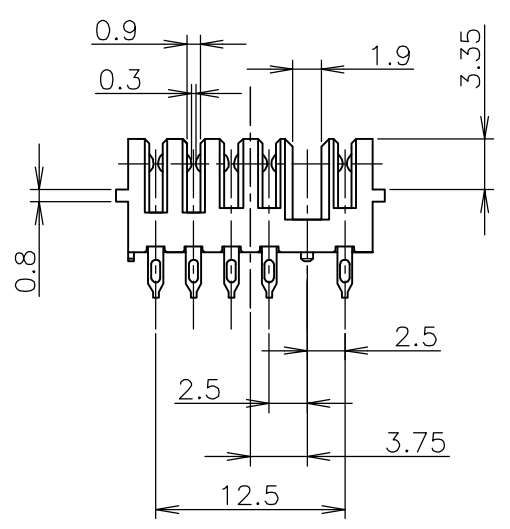
LOC	DIST	REVISIONS					
P	LTR	DESCRIPTION	DATE	DWN	APVD		
J	/	A1	REVISED	ECR-05-013643	24AUG05	C.Z	S.Y



REFERENCE P.C.BOARD LAYOUT
 P.C.BOARD THK 0.8~1.2
 (VIEW FROM CONNECTOR MOUNTING SIDE)



- ① MATERIAL HOUSING : THERMOPLASTIC RESIN, UL94V-0
 COLOR ; BLACK
- ② FINISH CONTACT : COPPER ALLOY
 Ni ALL OVER UNDER PL
 TIN PL. AT LEAD AREA
 Au PL. AT CONTACT AREA
- ③ WHITE MARKING TO THIS POSITION



1.8	5	1565986-2
3	5	1565986-1
C	Pos.	PART No.

THIS DRAWING IS A CONTROLLED DOCUMENT.		DWN T.KATANO 20DEC01	Tyco Electronics AMP K.K. Kawasaki,Japan	
DIMENSIONS: MM		CHK K.IKEGAMI 20DEC01		
TOLERANCES UNLESS OTHERWISE SPECIFIED:		APVD T.YAMADA 20DEC01	NAME RECEPTACLE ASSEMBLY 2.5mm PITCH BATTERY CONNECTOR (5POS.)	
0 PLC ± 0.3 1 PLC ± 0.3 2 PLC ± 0.3 3 PLC ± 0.3 4 PLC ± 0.3 ANGLES ± 3°		PRODUCT SPEC 108-5783	RESTRICTED TO	
MATERIAL		APPLICATION SPEC	SIZE A3	CAGE CODE 00779
FINISH		WEIGHT	DRAWING NO C-1565986	
①		CUSTOMER DRAWING		SCALE 2:1
②		SHEET 1 OF 1		REV A1