

Standard Features

- **Protection Level:** IP55
- **Technical:**
 - Metric - Inlets
 - 7 x M20 - Sides
 - 1 x M16 - Rear
 - 7 Installed M20 Entry Seals (5 - 16mm)
 - Snap-on Cover
- **Enclosure Material:** Semi - Rigid Polypropylene
- **Material**
- **Temperature Range:** -30°C to 100°C (-22°F to 212°F)
- **Gasket Material:** None / Contact Labyrinth Seal
- **Color:** Light Gray
- **Accessories:** See section below



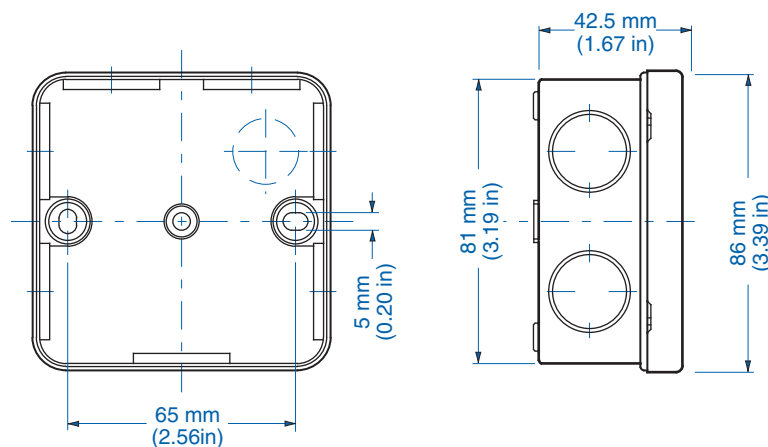
HP

Ordering Information	Cat. No.	Type	Length	Dimensions mm (in)		Std. Pk.
				Width	Height	
Enclosure	322-980	HP80	85 mm (3.35 in)	85 mm (3.35 in)	42 mm (1.65 in)	10

Accessories

Ordering Information	Cat. No.	Type	Std. Pk.
Terminal	460-525	2.5mm ² - 5 pole	10
Universal Entry Seal - M20	216-420	M20	100

For Liquid Tight Strain Reliefs please refer to catalog pages 150-152.



Knockout Detail

