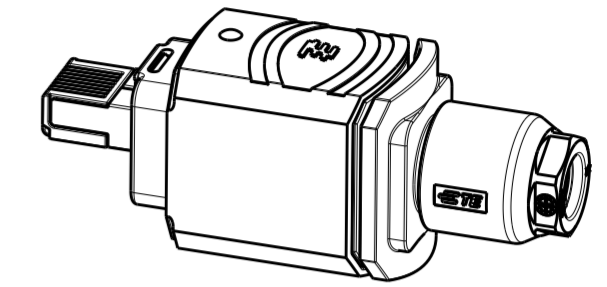
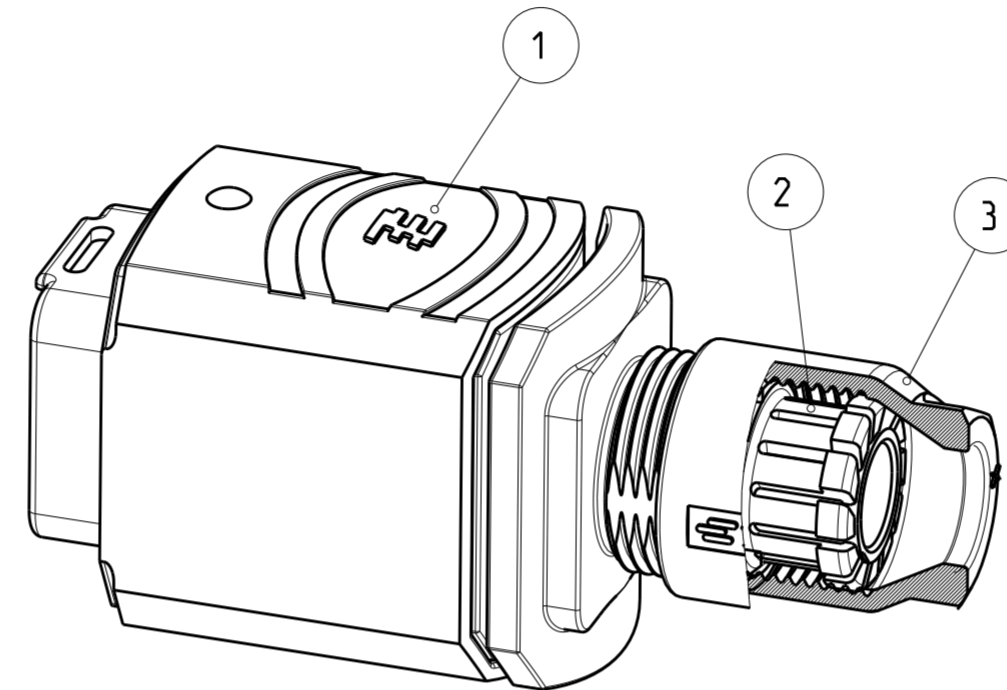
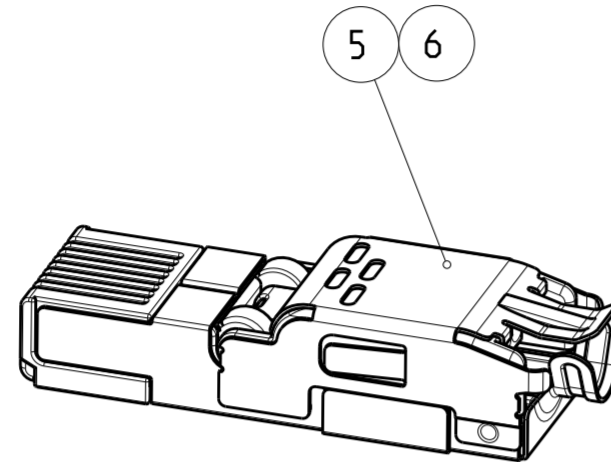
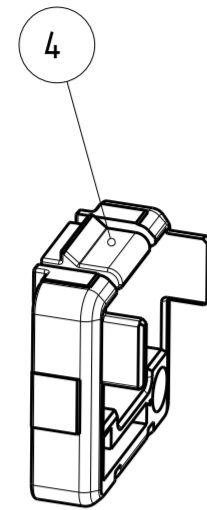


THIS DRAWING IS UNPUBLISHED  
 RELEASED FOR PUBLICATION 2007  
 © COPYRIGHT 2007 BY - ALL RIGHTS RESERVED.

REVISIONS				
P	LTR	DESCRIPTION	DATE	APVD
C		RETENTION CLIP MODIFICATION THAT IMPLEMENTED IN PREVIOUS REVISION IS CANCELLED	29DEC2014	TJ PS

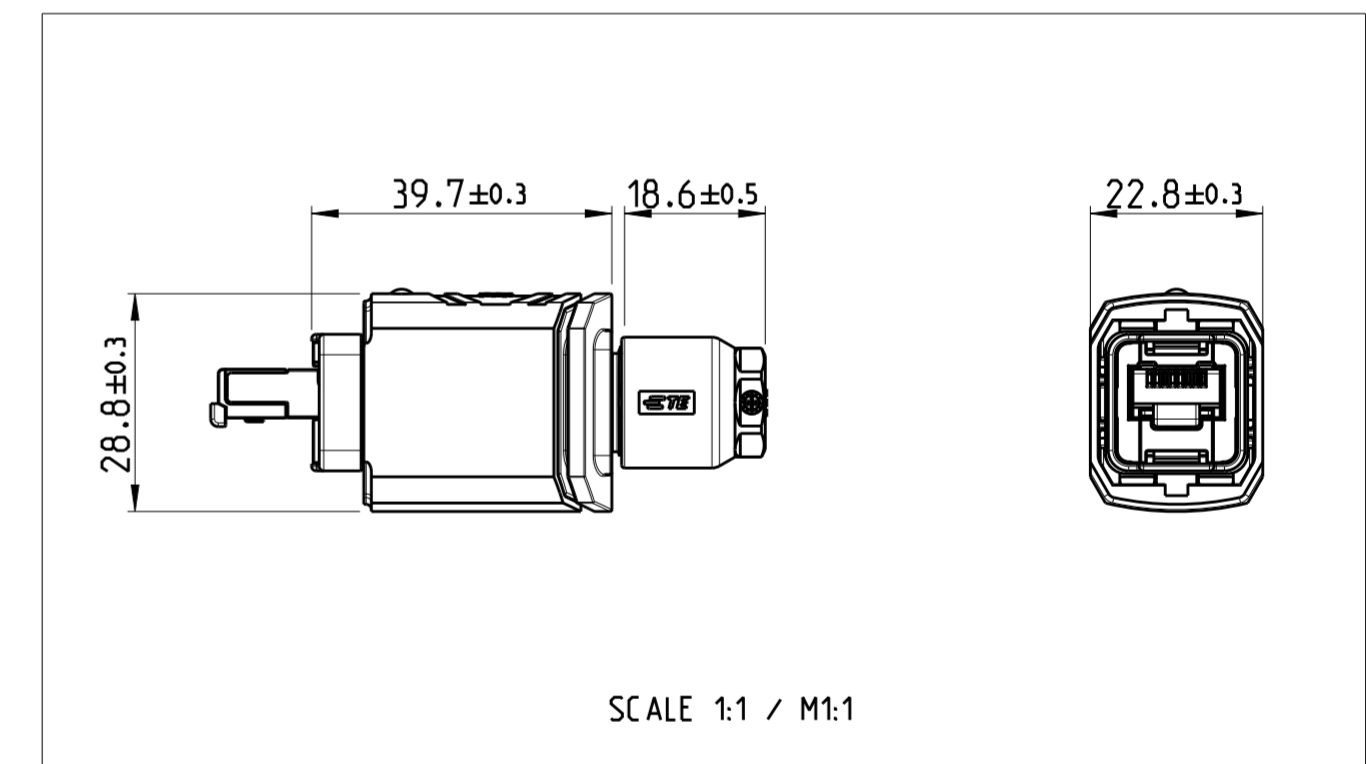


SCALE 1:1 / M 1:1

-1 AS SHOWN  
 -----  
 -1 WIE GEZEICHNET

SINGLE PACKING: PLASTIC BAG (MINI GRIP) WITH MANUAL.  
 MULTI PACKING: 50 PIECES ITEM NO. 1, NO.2 AND NO.3 IN CORD TENSIONING BAG+  
 50 PIECES ITEM NO. 4 IN PLASTIC BAG (MINI GRIP) +  
 50 PIECES ITEM NO. 5 OR NO. 6 IN FOLDING BOX +  
 PACKED IN CORRUGATED SHIPPING BOX WITH MANUAL.

EINZELVERPACKUNG: KUNSTSTOFFBEUTEL (MINI GRIP) MIT ANLEITUNG.  
 MEHRFACHVERPACKUNG: 50 STUECK POS. 1, POS. 2 UND POS. 3 IN KORDELZUG BEUTEL +  
 50 STUECK POS. 4 IN KUNSTSTOFFBEUTEL (MINI GRIP) +  
 50 STUECK POS. 5 ODER POS.6 IN FALTSCHACHTEL +  
 VERPACKT IN VERSANDKARTON MIT ANLEITUNG.



SCALE 1:1 / M1:1

QTY REQD	PER ASSY	DESCRIPTION	ITEM NO
1	1	1	7
1	1	MANUAL	
50	-	1	6
-	50	-	5
50	50	1	4
50	50	1	3
50	50	1	2
50	50	1	1
-4	-3	-2	-1

THIS DRAWING IS A CONTROLLED DOCUMENT.		DWN 23MAR2007 N. THIRUNAVUKKARASU CHK 23MAR2007 W. BOECK APVD 23MAR2007 R. KRAEMER	TE Connectivity	
DIMENSIONS: mm	TOLERANCES UNLESS OTHERWISE SPECIFIED: 0 PLC ± 1 PLC ± 2 PLC ± 3 PLC ± 4 PLC ± ANGLES ± FINISH	PRODUCT SPEC 108-94207-1/-2	NAME RJ45 PLUG, PUSH-PULL, ASSY RJ45 STECKER, PUSH-PULL, ASSY CAT5, SHIELDED	
MATERIAL -	PBT / PC / TPE	APPLICATION SPEC -	SIZE A2	CAGE CODE 00779
		WEIGHT -	DRAWING NO C-1987004	RESTRICTED TO -
		CUSTOMER DRAWING	SCALE 2:1	SHEET 1 OF 1