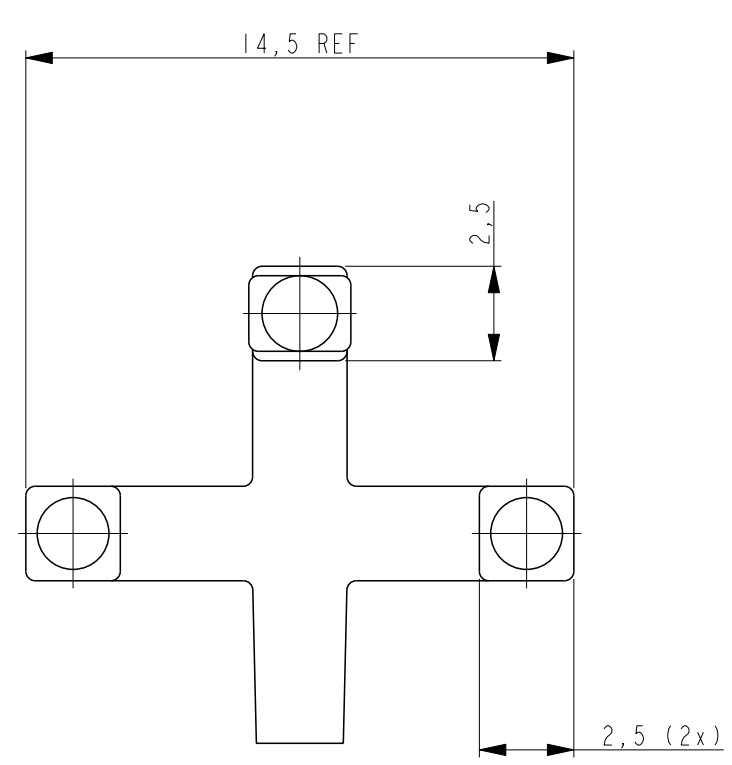
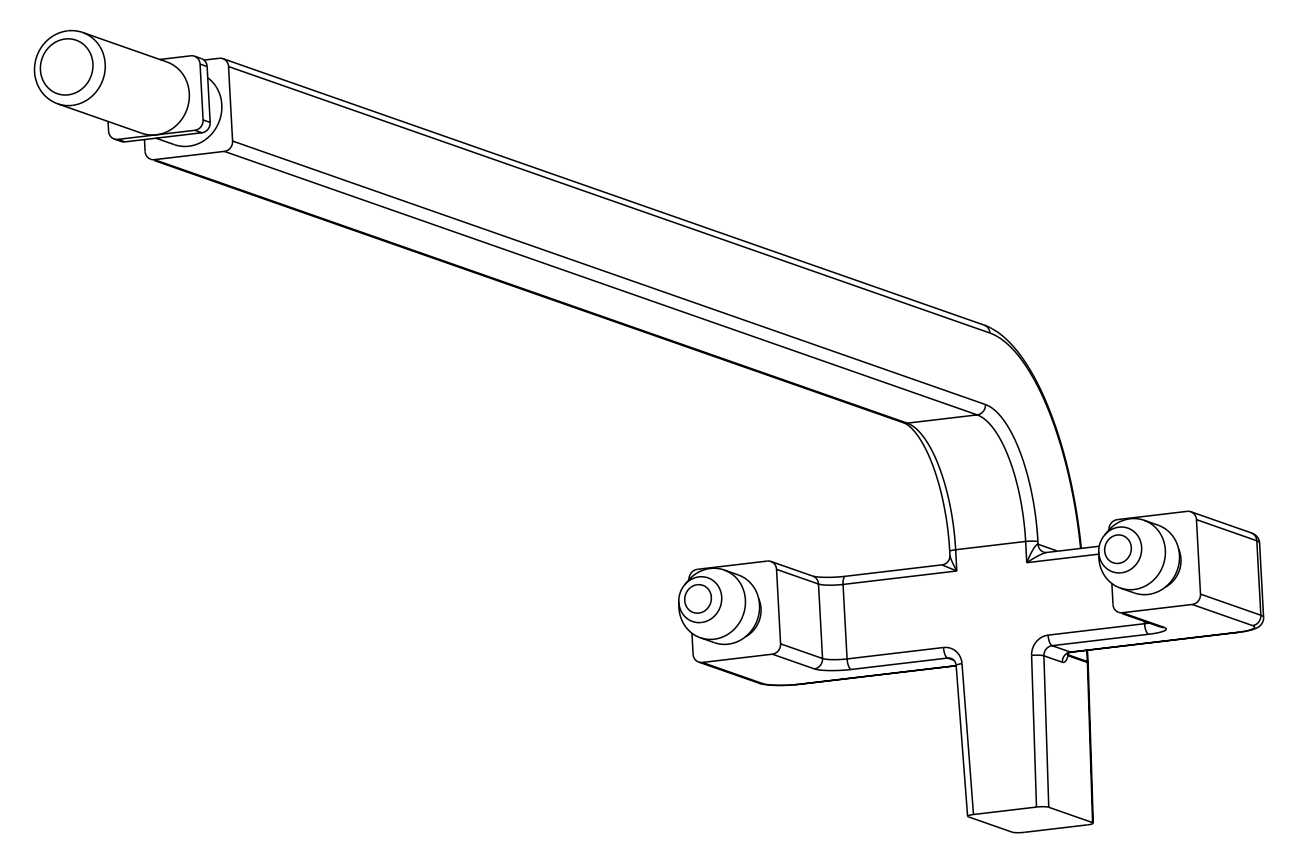


LOC	DIST	REV	DATE	BY	CHKD	APVD
H	-	1	08MAR2012	JvdH	TdB	



NOTE:  
 MATERIAL: POLYCARBONATE, CLEAR

**PRELIMINARY PART**  
 NOT RELEASED FOR PRODUCTION  
 THIS PRODUCT HAS NOT COMPLETED  
 VALIDATION TESTING

2173481-1  
 PART  
 NUMBER

THIS DRAWING IS A CONTROLLED DOCUMENT.		DWN	07 MAR 2012	TE Connectiv	
DIMENSIONS:		CHK	B MOORE	PRELIMINARY	
mm	TOLERANCES UNLESS OTHERWISE SPECIFIED:	APVD	TJ BOER	LIGHT PIPE, SINGLE, BEHIND BEZEL,	
Ø	9 PLC ±0.5	PRODUCT SPEC		Z OSFP+	
	1 PLC ±0.25	APPLICATION SPEC		SIZE	CAGE CODE
	3 PLC ±0.1	114-32021		A1	00779
	5 PLC ±	WEIGHT		C=2173481	
	4 PLC ±	CUSTOMER DRAWING		SCALE	8:1
	ANGLES ±			SHEET	1
	FINISH			OF	1
				REV	