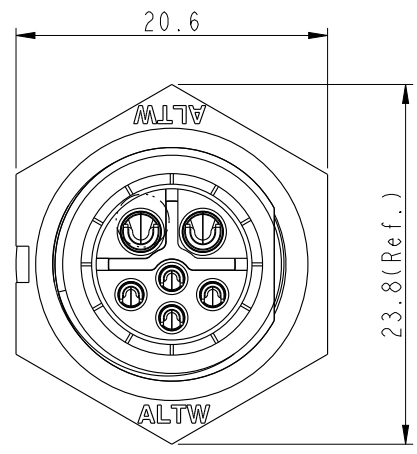
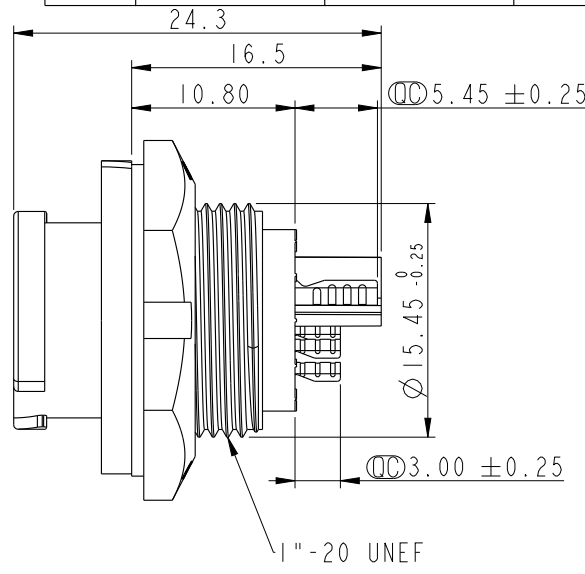
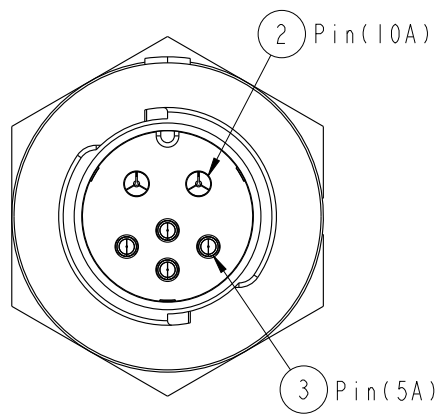


THIS DOCUMENT IS SUBJECT TO CHANGE WITHOUT NOTICE. IT IS CONFIDENTIAL AND A PROPERTY OF Amphenol LTW. DISCLOSURE TO THIRD PARTY HAS TO BE AUTHORIZED BY Amphenol LTW.

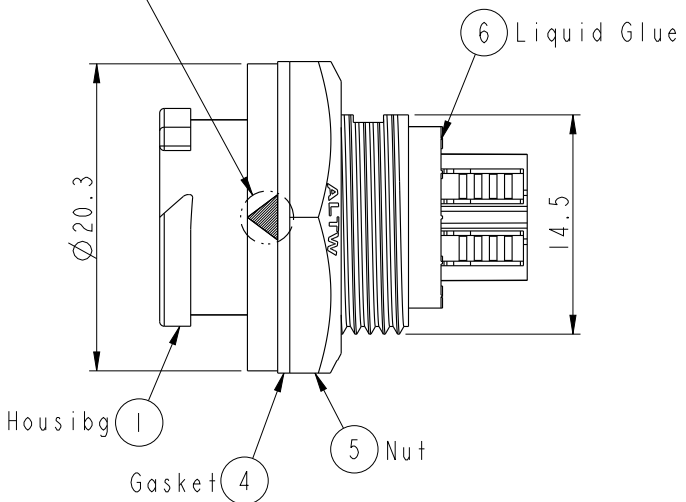
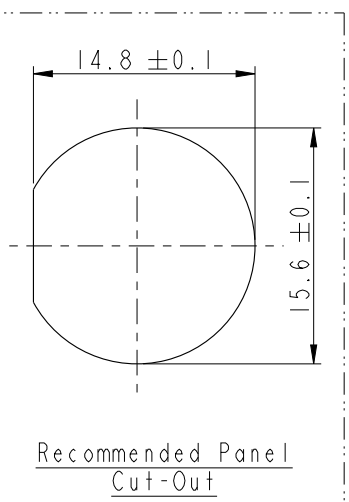
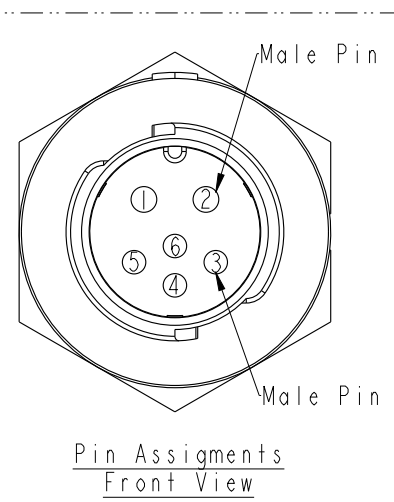
REV.	ECN NO.	DATE	SIGN	DESCRIPTION
A	Initial Release	2016-05-07	Spring	Change Rev.01 To Rev.A

ALTW
CONFIDENTIAL
2016-05-07
R&D DEPT.

ALTW
DCC. DEPT.
CONFIDENTIAL
2016.05.18
ISSUED



⌀ White Printing



Note:

- * ⌀ Important Dimension To Check.
- * Waterproof Rate: IP68(Unmated)
In 1 meter water within 24 hours
- * Working Voltage Rating:
Power: AC/DC 300V
Data: DC 30V
- * Working Current:
Power: 10A
Data: 05A
- * Housing: Nylon+GF, Black.
- * Pin: Copper Alloy, Gold Plated.
- * Nut: Nylon+GF, Black.
- * Gasket: Silicone, Gray.
- * Use without waterproof cap
Panel Thickness Max: 3.6mm

UNIT: mm		
TOLERANCE	.X ±0.25	
	.XX ±0.1	
	.XXX ±0.05	
ANGLES	±1°	

TITLE STANDARD, RECEPTACLE (REAR) X-LOK (2+4) PIN M CONN M PIN			
SCALE 2:1	SIZE A4	SHEET 1 OF 1	
REV. A	WC-REV. A.5	⌀: Inspection item	

Amphenol LTW
安費諾亮泰企業股份有限公司

ITEM NO. BBD-06RMMS-QC8001	DRAWN BY Spring	DATE 2016-05-07
DWG NO. BBD-06RMMS-QC8001	CHECKED BY Fisher	DATE 2016-05-07
CUSTOMER ALTW	APPROVED BY Kevin	DATE 2016-05-07