

THIS DRAWING IS UNPUBLISHED.

RELEASED FOR PUBLICATION

20

© COPYRIGHT 20

BY TYCO ELECTRONICS CORPORATION. ALL RIGHTS RESERVED.

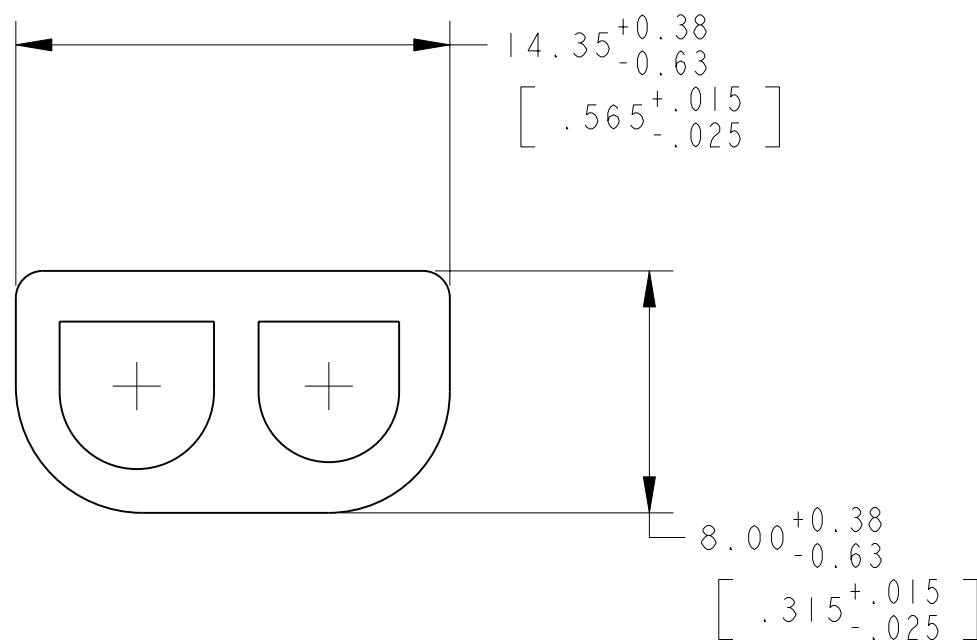
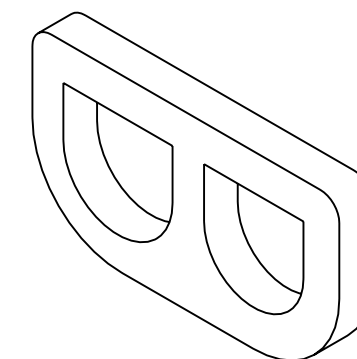
LOC
CM

DIST
45

REVISIONS

P	LTR	DESCRIPTION	DATE	DWN	APVD
	E	REVISED PER ECO-05-001965	04MAY05	KW	SR

1 MATERIAL: CLOSED CELL SILICON FOAM, BLACK
 2. SUPPLIED ON MYLAR FILM.



794991-1

PART NUMBER

METRIC

THIS DRAWING IS A CONTROLLED DOCUMENT FOR TYCO ELECTRONICS CORPORATION
IT IS SUBJECT TO CHANGE AND THE CONTROLLING ENGINEERING ORGANIZATION
SHOULD BE CONTACTED FOR THE LATEST REVISION.

DIMENSIONS: mm [INCHES]		TOLERANCES UNLESS OTHERWISE SPECIFIED:	
	0 PLC ±-	1 PLC ±-	±-
	2 PLC ±0.51 [.020]	3 PLC ±-	±-
	4 PLC ±-	ANGLES ±-	±-
MATERIAL	-	FINISH	-

DWN	07-DEC-2001
CHK	07-DEC-2001
APVD	07-DEC-2001
PRODUCT SPEC	-
APPLICATION SPEC	-
WEIGHT	-
CUSTOMER DRAWING	

tyco Electronics		Tyco Electronics Harrisburg, PA 17105-3608	
NAME INTERFACE SEAL 2 CIRCUIT UNIVERSAL MATE-N-LOK™			
SIZE	CAGE CODE	DRAWING NO	RESTRICTED TO
A3	00779	794991	-
SCALE 4:1		SHEET 1 OF 1	REV E