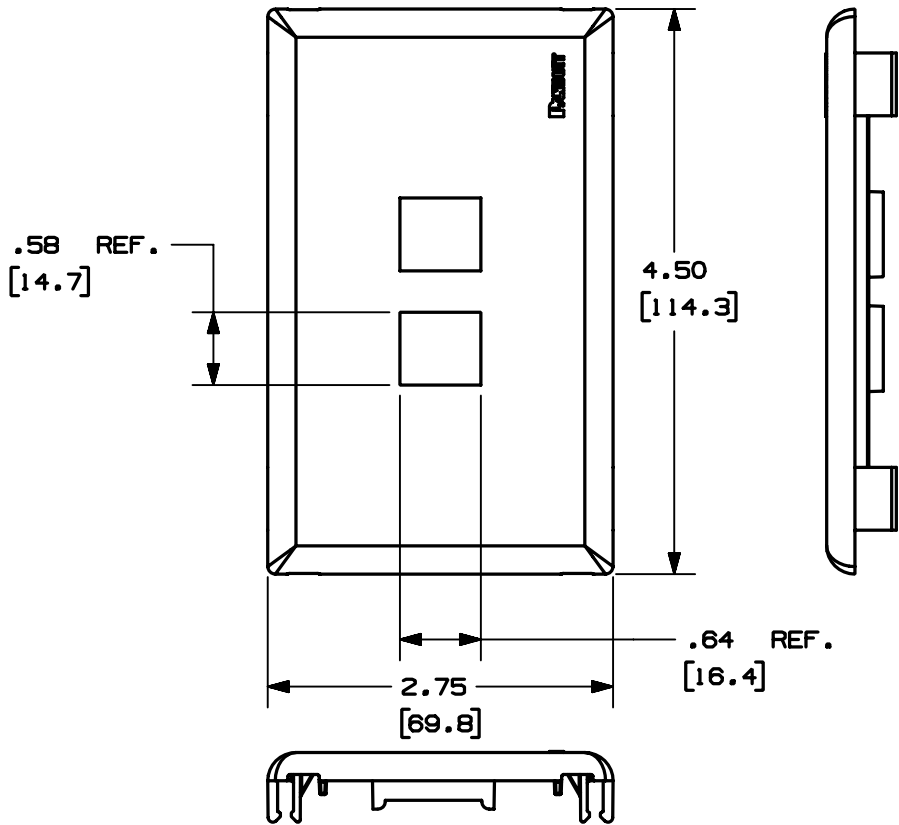


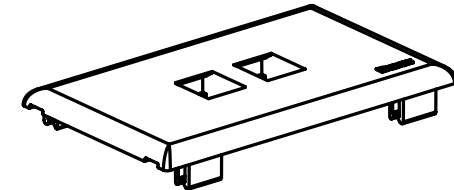
THIS COPY IS PROVIDED ON A RESTRICTED BASIS AND IS NOT TO BE USED IN ANY WAY DETRIMENTAL TO THE INTERESTS OF PANDUIT CORP.



PANDUIT P/N	WEIGHT
T70KW2	.071 LB (32.4 G)

**NOTES:**

1. SEE CURRENT CATALOG FOR ADDITIONAL PART SUFFIXES TO INDICATE COLOR AND OR PACKAGE QUANTITY.
2. THE T70KW2 FACEPLATE WILL ACCEPT TWO KEYSTONE JACK MODULES.
3. DIMENSIONS IN PARENTHESES ARE IN METRIC.
4. THE T70KW2 FACEPLATE CAN BE USED WITH PANDUIT SURFACE RACEWAY SYSTEMS AND BOXES THAT ACCEPT 70mm SNAP-ON FACEPLATES (INCLUDES: T-70, TWIN-70, TE70, TG-70, ETC.)



CAD FILENAME/LAYERS		D38291BA_DC_T70KW2_01A.PRT	
<h1>PANDUIT</h1> CORP TINLEY PARK, ILLINOIS		2-POSITION HORIZONTAL SNAP-ON FACEPLATE (T70KW2)	
		CUSTOMER DRAWING	
UNLESS OTHERWISE SPECIFIED, DIMENSIONAL TOLERANCES ARE:		UNLESS OTHERWISE SPECIFIED, ALL DIMENSIONS ARE GIVEN IN INCHES, THIRD ANGLE PROJECTION.	
(.X) ± .03 (.8) ANGLES ±			
DRAWN BY	JBN	MAT'L:	PVC
DATE	11-14-01	SCALE	NONE
REV	R	DRAWING NO.	38291-03
DATE	11-14-01	DWG	A
BY	PM	SIZE	A

REV	DATE	BY	CHK'D	DESCRIPTION	ECN	R	CUST	SUP	GMBH
R	11-14-01	JBN	PM	RELEASED TO PRODUCTION	38291-03	RGRO			