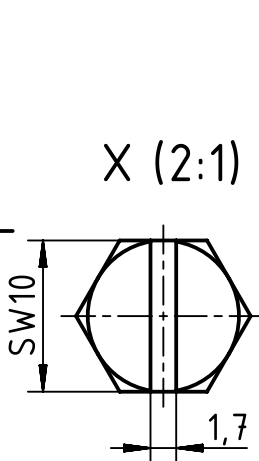


A

B

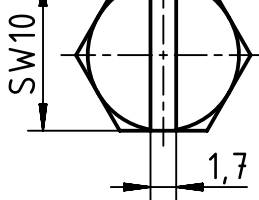
C

D



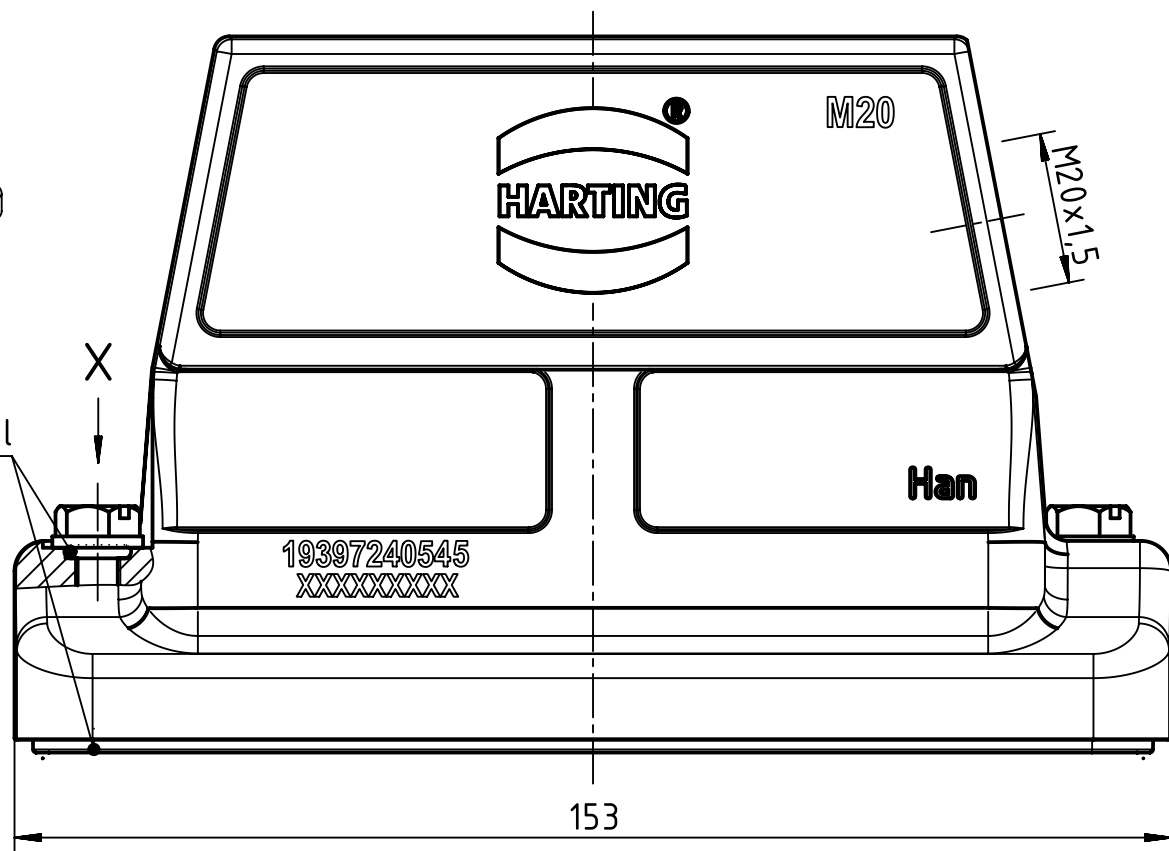
Seal

X (2:1)



SW10

1,7



M20

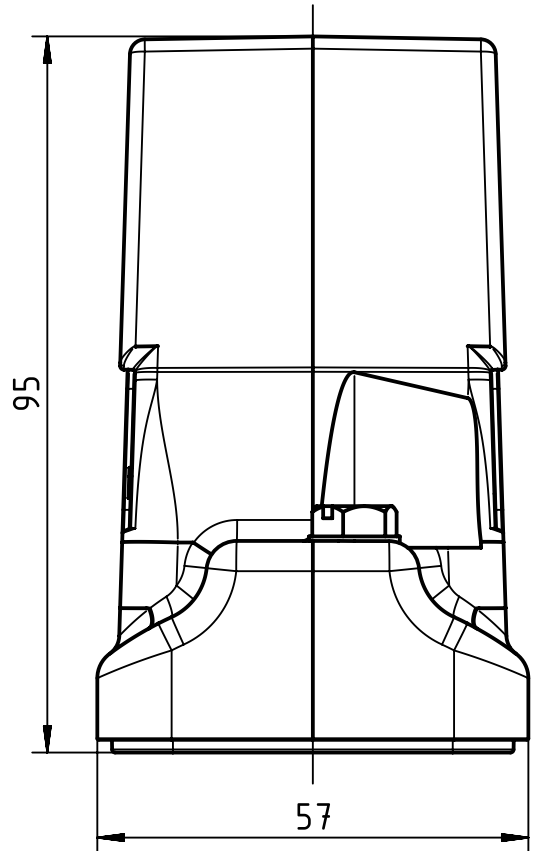
HARTING

M20x1,5

Han

19397240545
XXXXXXXXXX

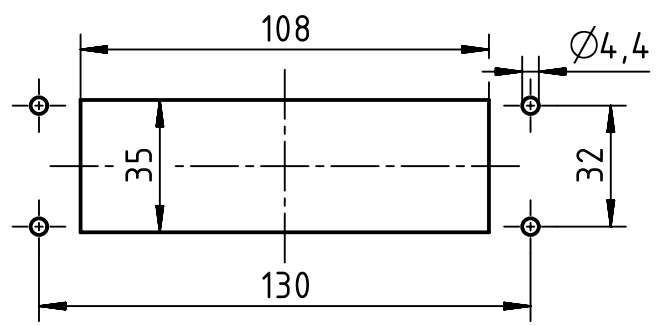
153



95

57

Panel cut out (1:2)



108

Ø4,4

35

32

130

	All Dimensions in mm Original Size DIN A4		Scale 1:1	Free size tol.		Ref.	
	All rights reserved Department EL PD - CN		Created by LONGL	Inspected by WENE	Standardisation SCHMIDTM	Date 2017-03-20	State Final Release
HARTING (Zhuhai) Manufacturing Co., Ltd. 519085 Zhuhai, China			Title Han 24HP Direct/M-HSE-M20			Doc-Key / ECM-Nr. 100664908/UGD/002/C 500000116979	
			Type TB	Number 19 39 724 0545		Rev. C	Page 1/1