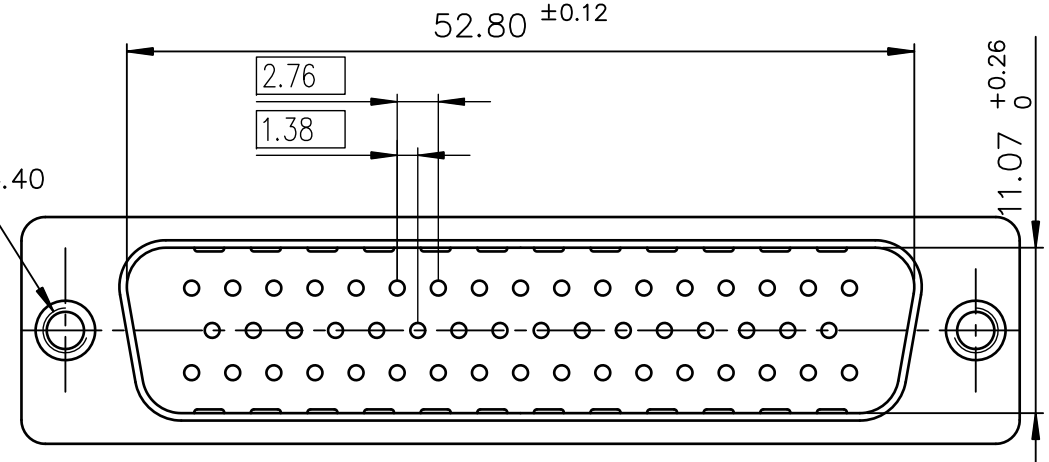
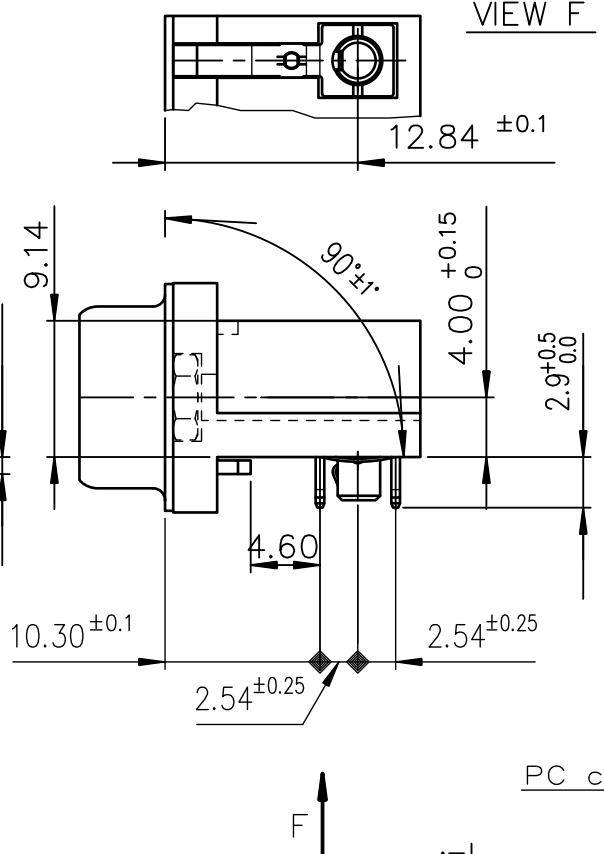
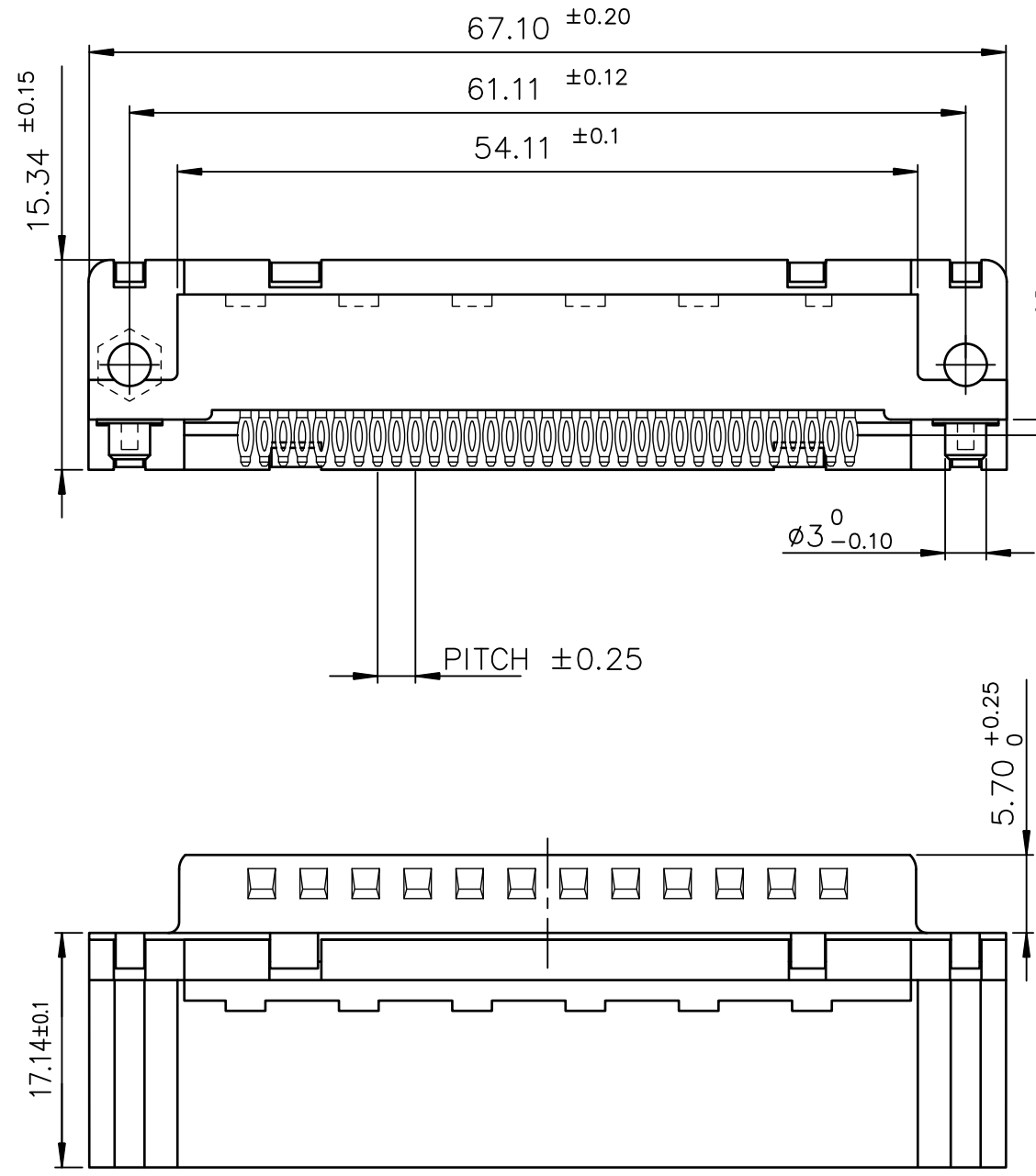


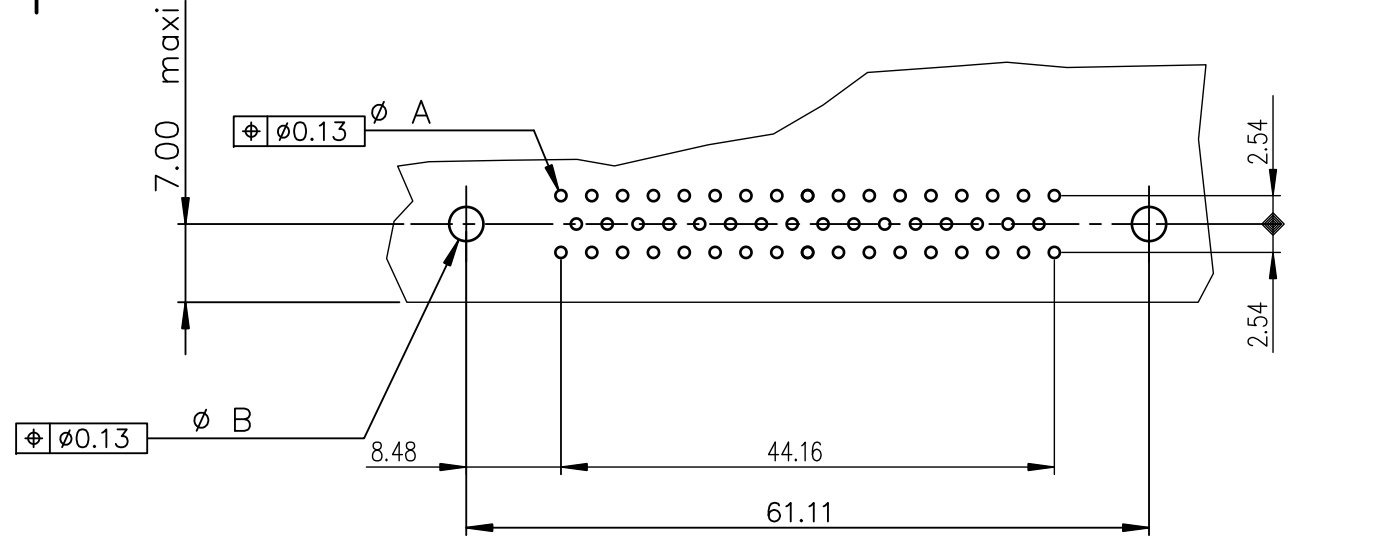


FCIconnect.com

Copyright FCI



PC card drilling dimensions(after plating) scale:1.5  
(thickness 1.60 ±0.10mm)



TIN LEAD PART NUMBER

D50P82C4GX00	D50P82C6GX00
Gold flash	0.76 μ gold

LEAD FREE PART NUMBER

D50P82C4GX00LF	D50P82C6GX00LF
Gold flash	0.76 μ gold

GENERAL CHARACTERISTICS AND ROHS INFORMATIONS:

SEE DRAWING C01-8646-0001

mat'l. code		surface ISO 1302		tolerance ISO 406 ISO 1101		projection		product family	
-		✓				MM		D-SUB	
ltr		ecn no		dr		date		title	
H		ELX-I-18050		MP		2014/06/23		DELTA-D EUROSTYLE MALE 50 RIGHT ANGLED PRESS FIT	
								dwg no	
								C01-8646-0396	
								sheet 1 of 1	
								size	
								A3	
								type	
								Product Customer Drawing	

sheet index	revision sheet	H	1																	
-------------	----------------	---	---	--	--	--	--	--	--	--	--	--	--	--	--	--	--	--	--	--