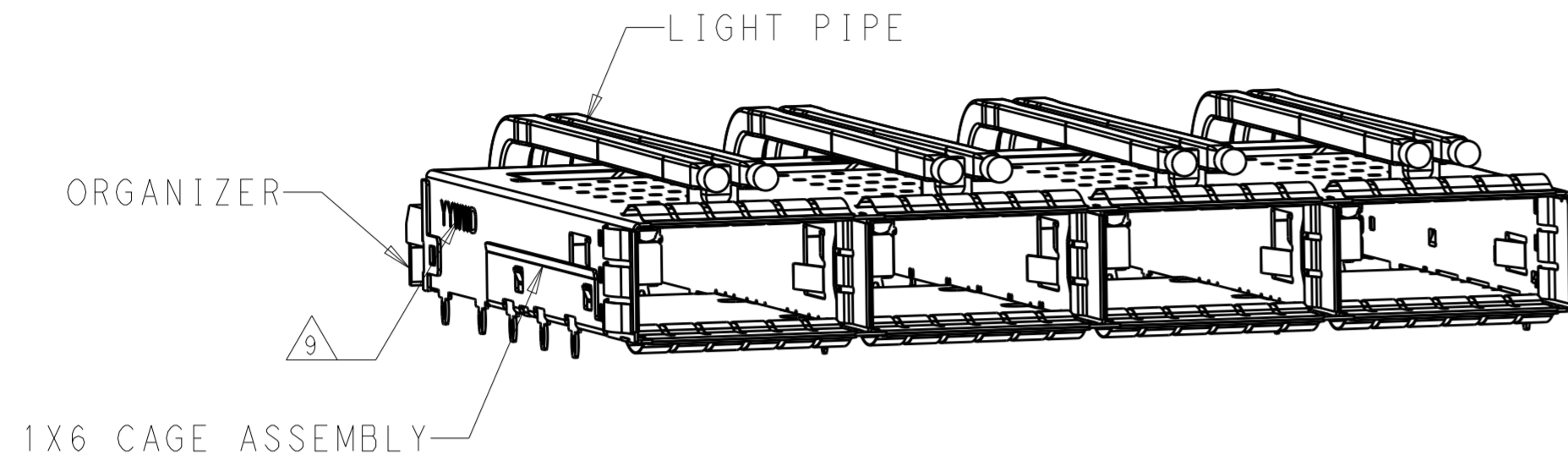
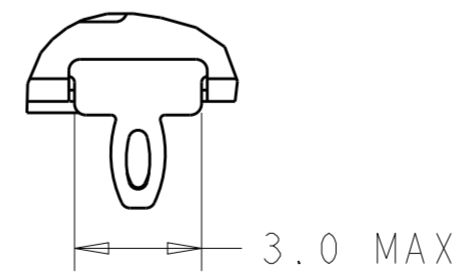
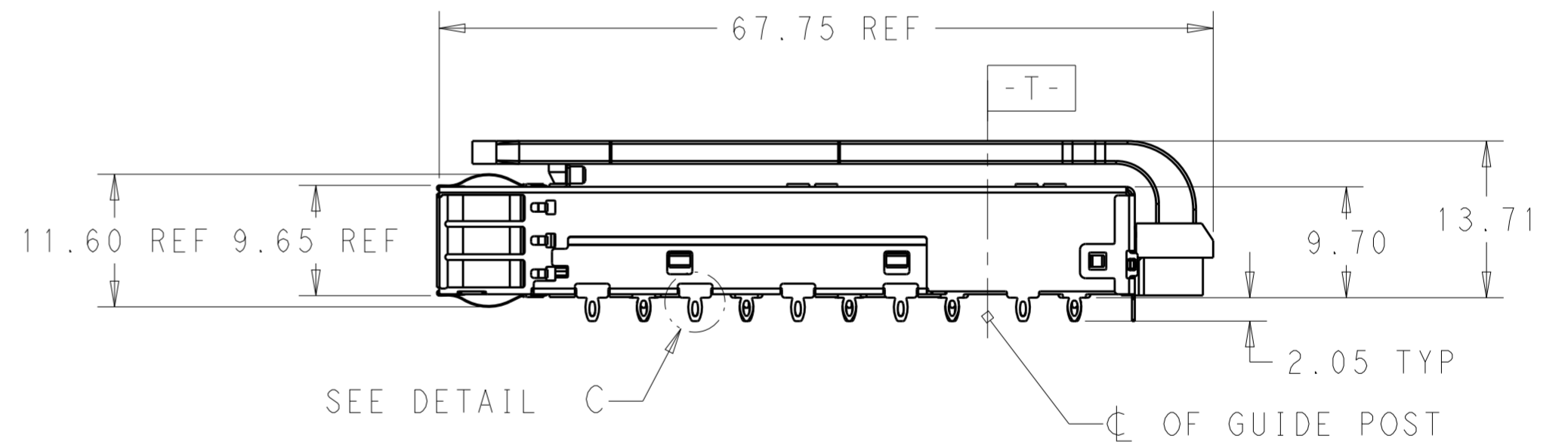
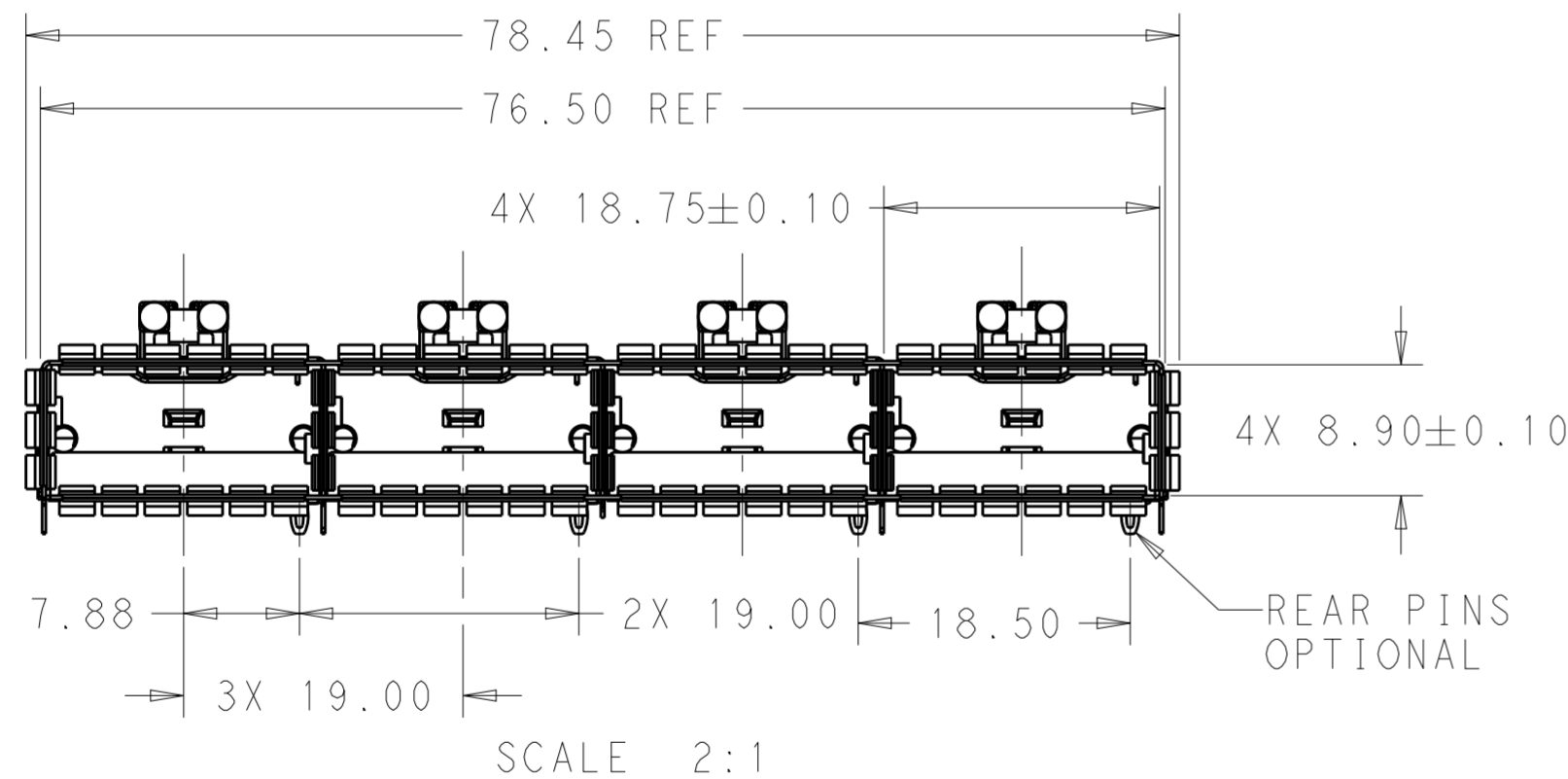


THIS DRAWING IS UNPUBLISHED. RELEASED FOR PUBLICATION 20
 © COPYRIGHT 20 BY - ALL RIGHTS RESERVED.

REVISIONS					
P	LTR	DESCRIPTION	DATE	DWN	APVD
	A	RELEASE	08NOV2016	JY	SH



1. COMPONENTS
 CAGE ASSEMBLY: NICKEL-SILVER ALLOY
 HEAT SINK: ALUMINUM/BLACK ANODIZE
 HEAT SINK CLIP: STAINLESS STEEL
 EMI SPRING: COPPER ALLOY/NICKEL PLATE
 LIGHT PIPE: CLEAR POLYCARBONATE
 ORGANIZER: POLYESTER
2. REFERENCE APPLICATION SPECIFICATION 114-32023 FOR RECOMMENDED DRILL HOLE DIAMETER AND PLATING THICKNESS
3. DATUM AND BASIC DIMENSION ESTABLISHED BY CUSTOMER
4. MATES WITH QSFP28 MSA COMPATIBLE TRANSCEIVER.
5. LIGHT PIPES ARE SHIPPED ASSEMBLED ON CAGE
6. MINIMUM PC BOARD THICKNESS: SINGLE SIDED: 1.57 MIN
 DOUBLE SIDED: 2.20 MIN
7. DATUM -A- IS TOP SURFACE OF THE HOST BOARD.
8. THESE HOLES ARE OPTIONAL WHEN THE REAR PINS ARE REMOVED.
9. DATE CODE (YYWWD) MARKED APPROXIMATELY AS SHOWN.



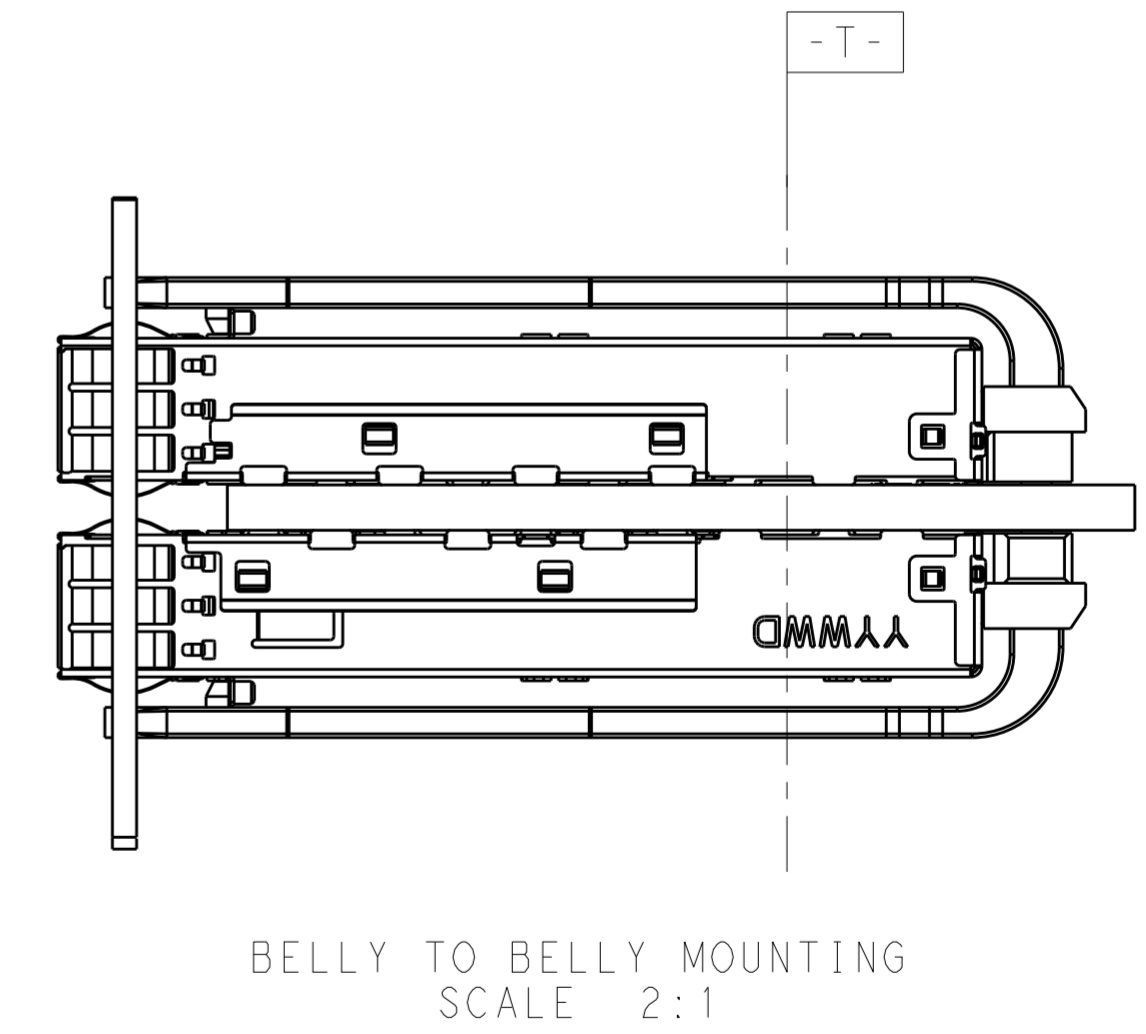
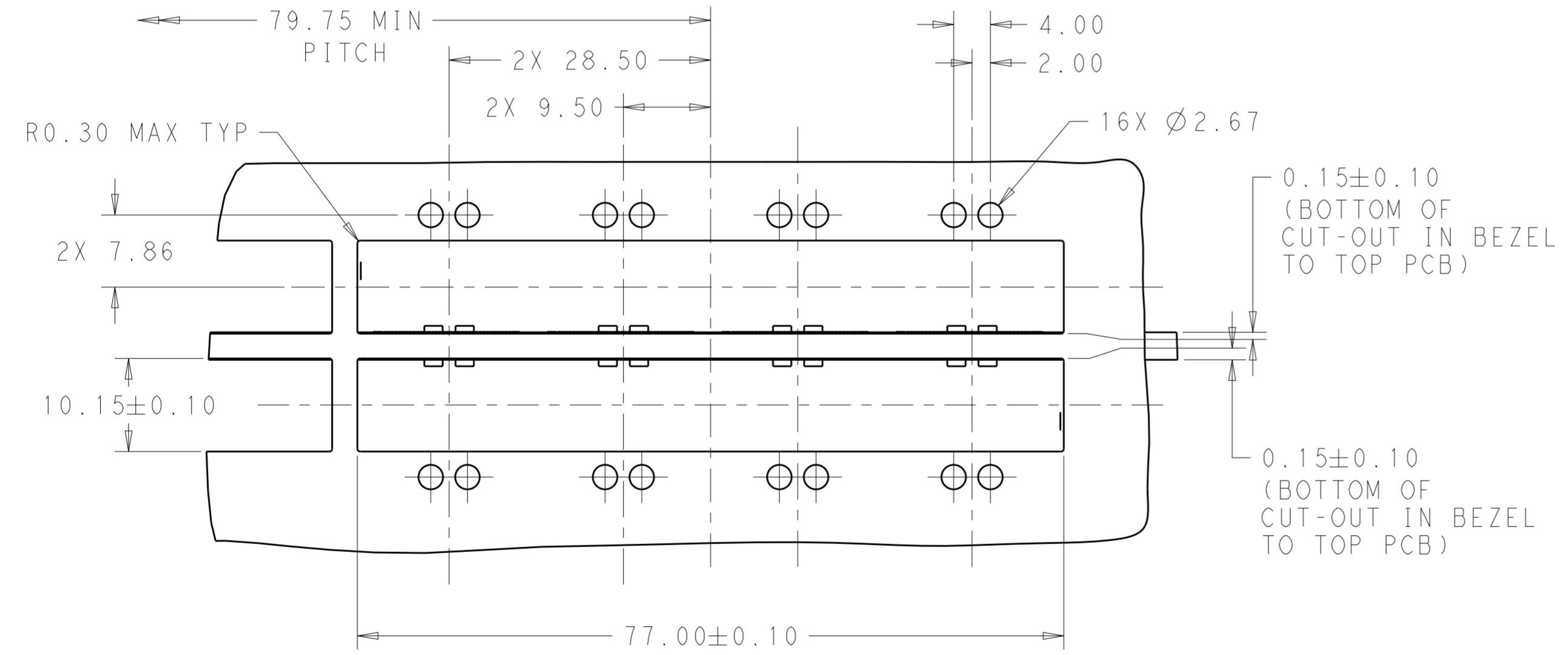
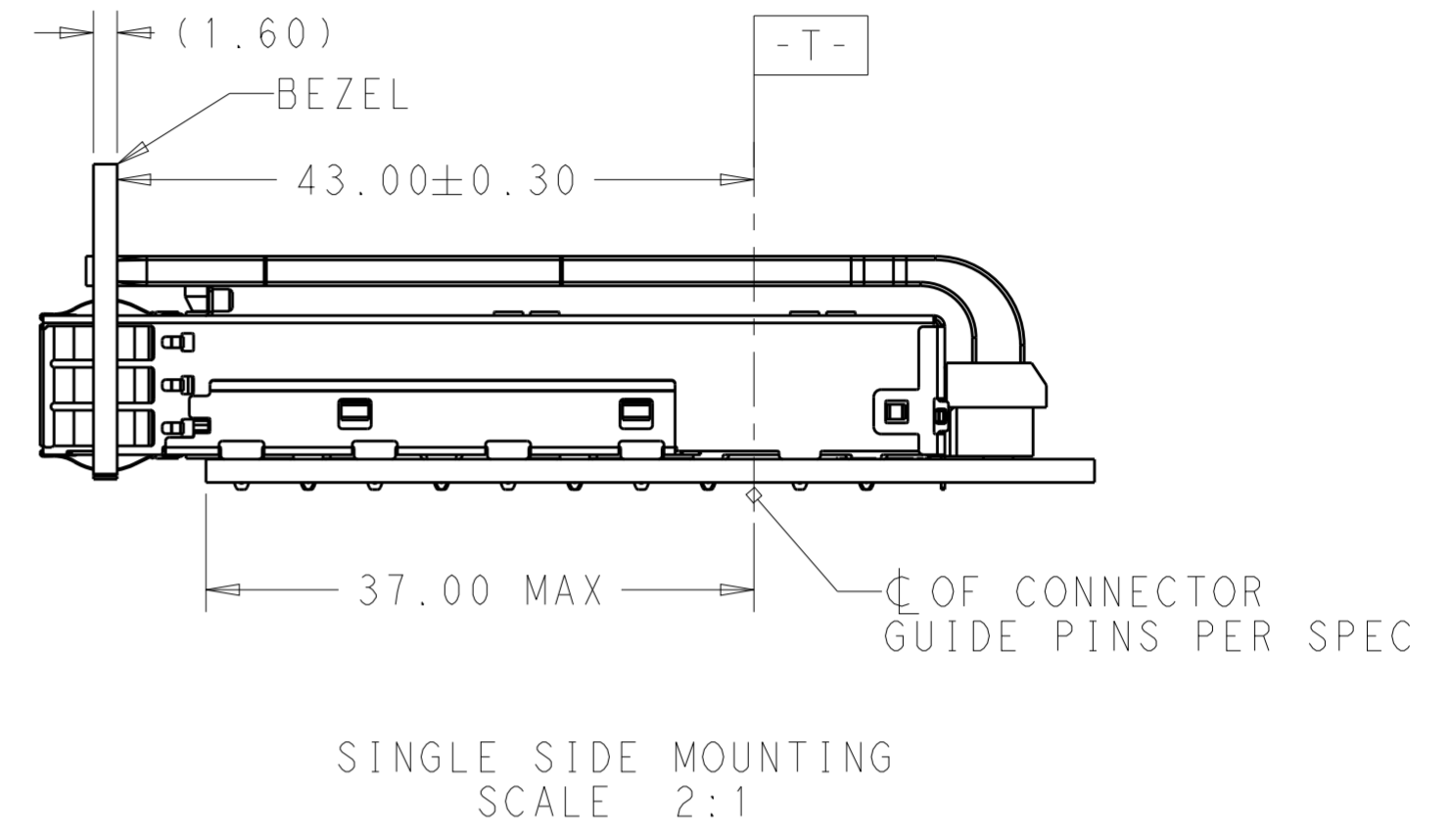
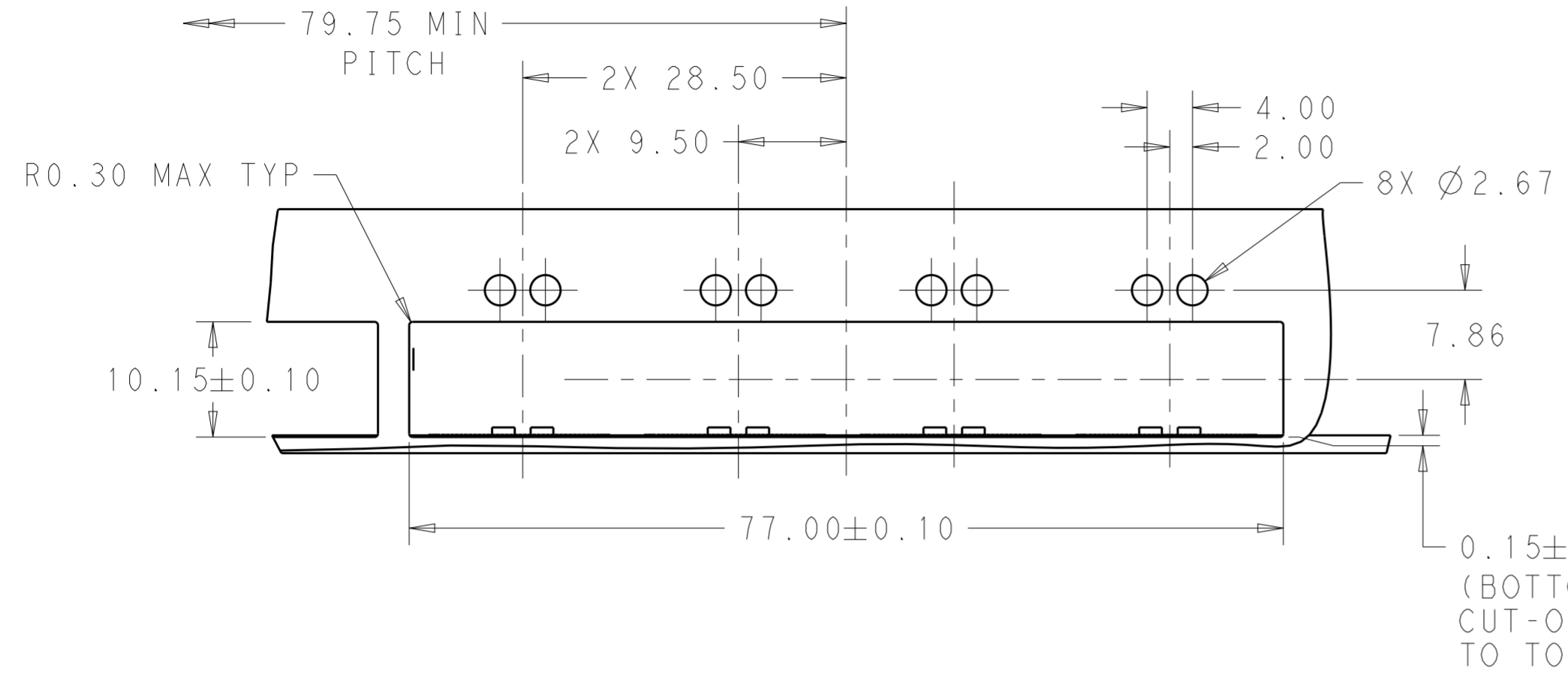
DETAIL C
 SCALE 6:1


WITHOUT	2170746-2
WITH	2170746-1
REAR PINS OPTIONAL	PART NUMBER

THIS DRAWING IS A CONTROLLED DOCUMENT.		DWN 04JUN2014 JASON YANG	STE TE Connectivity	
		CHK 08NOV2016 SEAN HAN		
DIMENSIONS:	TOLERANCES UNLESS OTHERWISE SPECIFIED:	APVD -	NAME RECEPTACLE CAGE ASSEMBLY WITH LIGHT PIPES, THRU BEZEL, 1X4, QSFP28	
mm	0 PLC ± 1 PLC ±0.25 2 PLC ±0.2 3 PLC ± 4 PLC ±	PRODUCT SPEC 108-19428	SIZE CAGE CODE DRAWING NO	
MATERIAL SEE NOTES	ANGLES FINISH SEE NOTES	APPLICATION SPEC 114-32023	A200779	C-2170746
		WEIGHT -	RESTRICTED TO	
		CUSTOMER DRAWING	SCALE 3:1	SHEET 1 OF 5 REV A

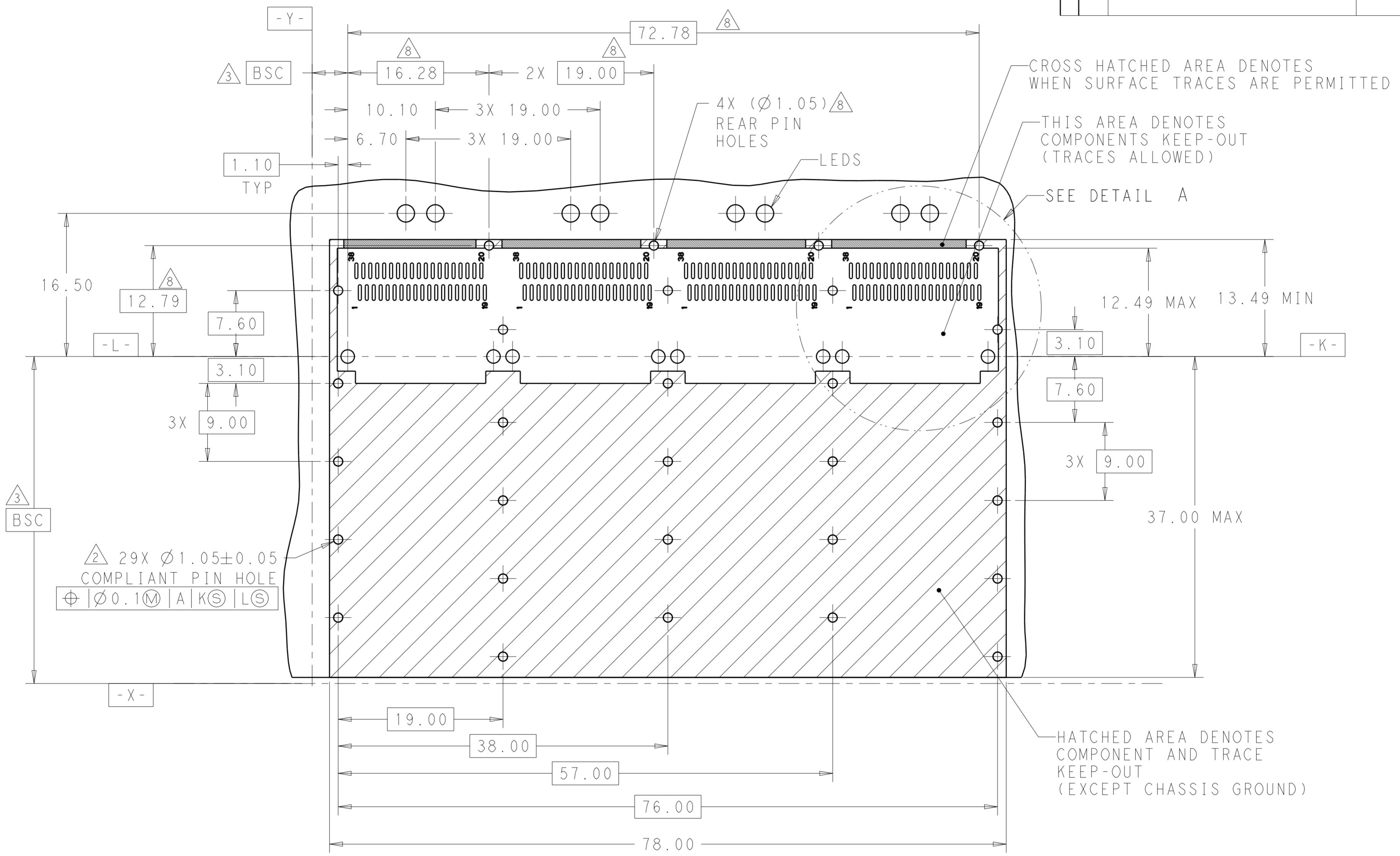
THIS DRAWING IS UNPUBLISHED. RELEASED FOR PUBLICATION 20
 © COPYRIGHT 20 BY - ALL RIGHTS RESERVED.

REVISIONS				
P	LTR	DESCRIPTION	DATE	APVD
-	-	SEE SHEET 1	-	-



THIS DRAWING IS A CONTROLLED DOCUMENT.		DWN JASON YANG 04JUN2014	 TE Connectivity	
		CHK SEAN HAN 08NOV2016		
DIMENSIONS:	TOLERANCES UNLESS OTHERWISE SPECIFIED:	APVD	NAME	
mm	0 PLC ± 1 PLC ±0.25 2 PLC ±0.2 3 PLC ± 4 PLC ± ANGLES ± FINISH	PRODUCT SPEC 108-19428	RECEPTACLE CAGE ASSEMBLY WITH LIGHT PIPES, THRU BEZEL, 1X4, QSFP28	
MATERIAL	SEE NOTES	APPLICATION SPEC 114-32023	SIZE	RESTRICTED TO
SEE NOTES	SEE NOTES	WEIGHT	A200779	-
		CUSTOMER DRAWING	DRAWING NO C-2170746	SCALE 3:1 SHEET 2 OF 5 REV A

REVISIONS				
P	LTR	DESCRIPTION	DATE	APVD
-	-	SEE SHEET 1	-	-



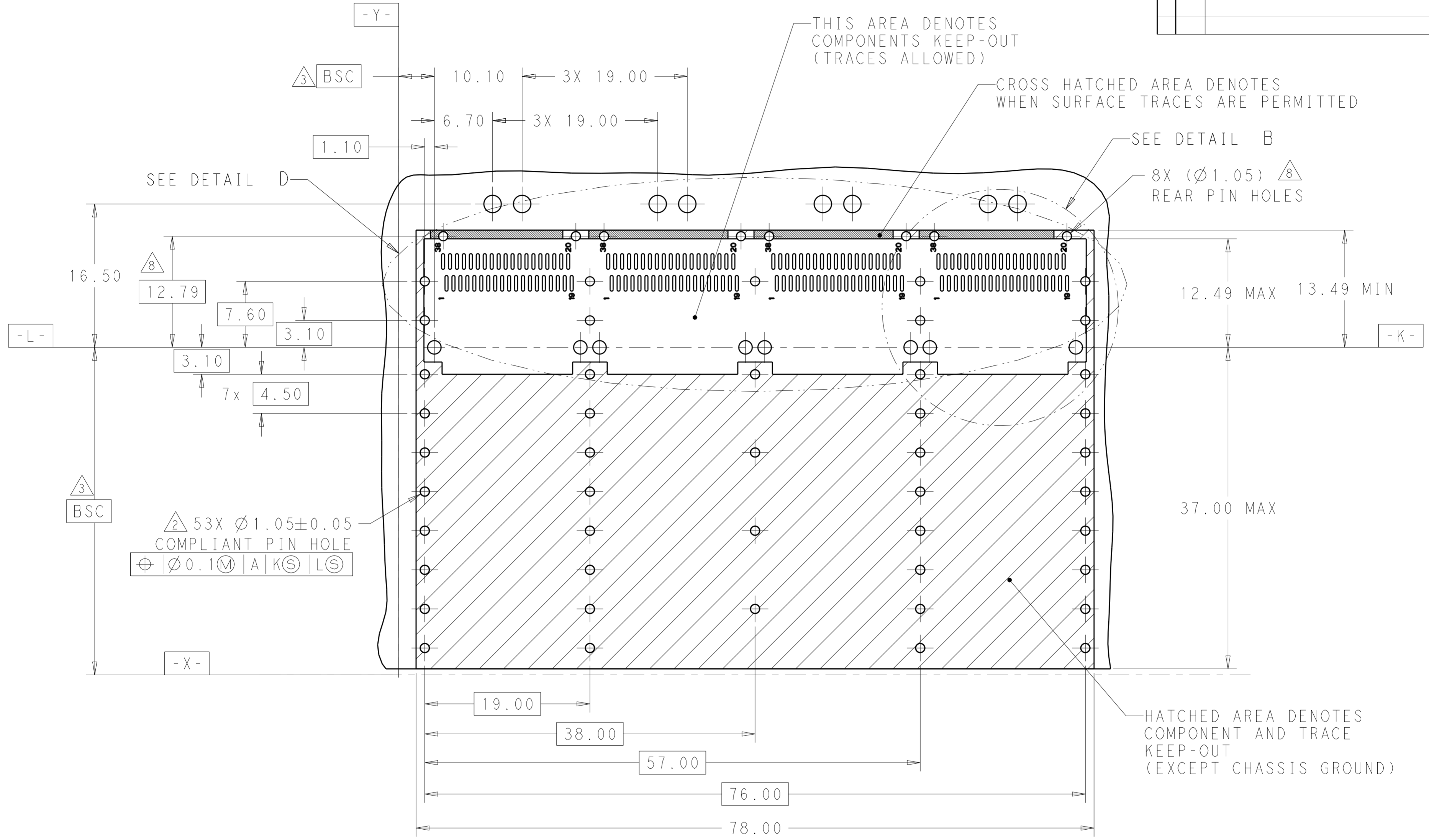
29X Ø1.05±0.05
 COMPLIANT PIN HOLE
 Ø0.1(M) | A | K(S) | L(S)

RECOMMENDED PCB LAYOUT
 SINGLE TYPE
 PCB TOLERANCE: ±0.05
 SCALE 3:1

THIS DRAWING IS A CONTROLLED DOCUMENT.		DWN JASON YANG 04JUN2014	TE Connectivity	
		CHK SEAN HAN 08NOV2016		
DIMENSIONS: mm		APVD -		NAME RECEPTACLE CAGE ASSEMBLY WITH LIGHT PIPES, THRU BEZEL, 1X4, QSFP28
TOLERANCES UNLESS OTHERWISE SPECIFIED: 0 PLC ± 1 PLC ±0.25 2 PLC ±0.2 3 PLC ± 4 PLC ± ANGLES ± FINISH ±		PRODUCT SPEC 108-19428		SIZE A200779
MATERIAL SEE NOTES		APPLICATION SPEC 114-32023		DRAWING NO C-2170746
		WEIGHT -		RESTRICTED TO -
		CUSTOMER DRAWING		SCALE 3:1 SHEET 3 OF 5 REV A

THIS DRAWING IS UNPUBLISHED. RELEASED FOR PUBLICATION 20
 © COPYRIGHT 20 BY - ALL RIGHTS RESERVED.

REVISIONS				
P	LTR	DESCRIPTION	DATE	APVD
-	-	SEE SHEET 1	-	-

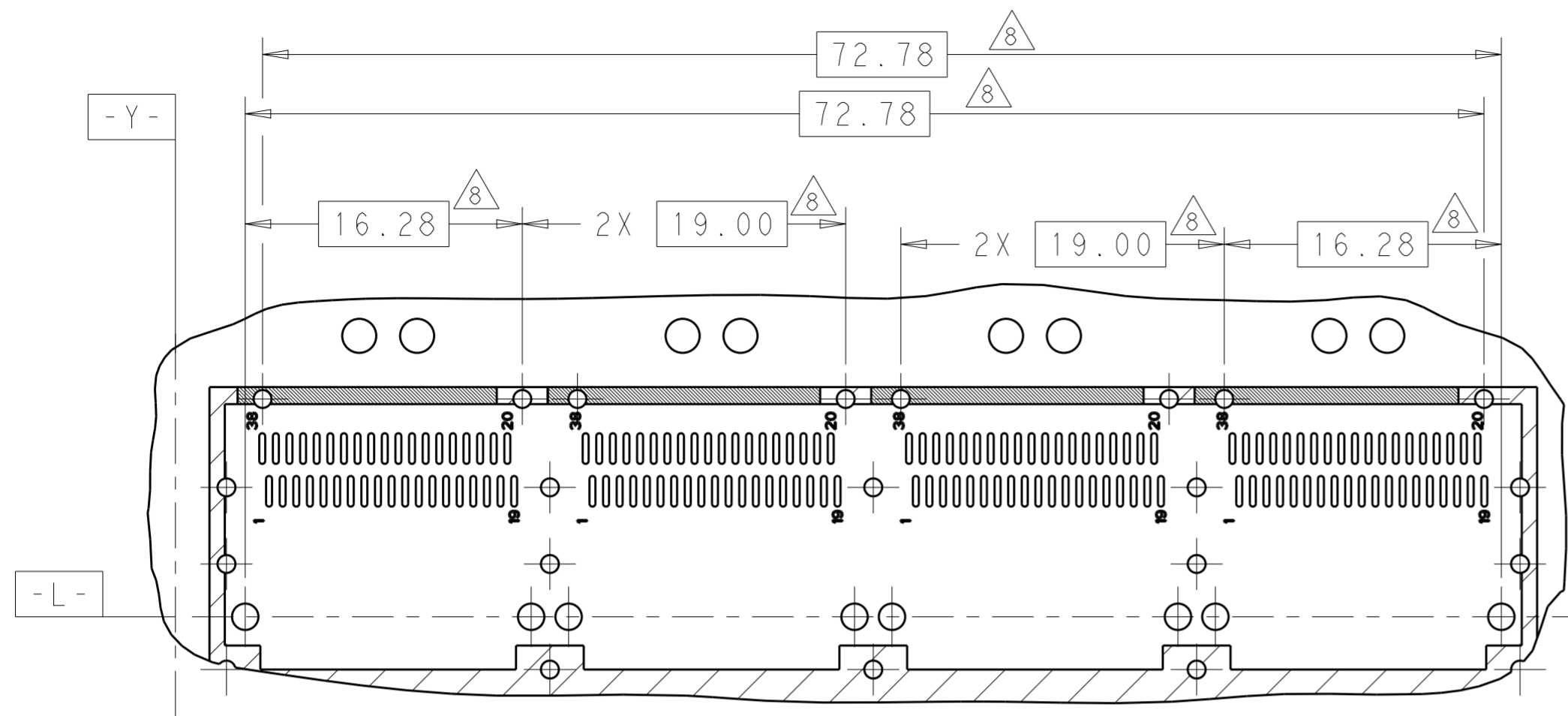


RECOMMENDED PCB LAYOUT
 BELLY TO BELLY TYPE
 PCB TOLERANCE: ±0.05
 SCALE 3:1

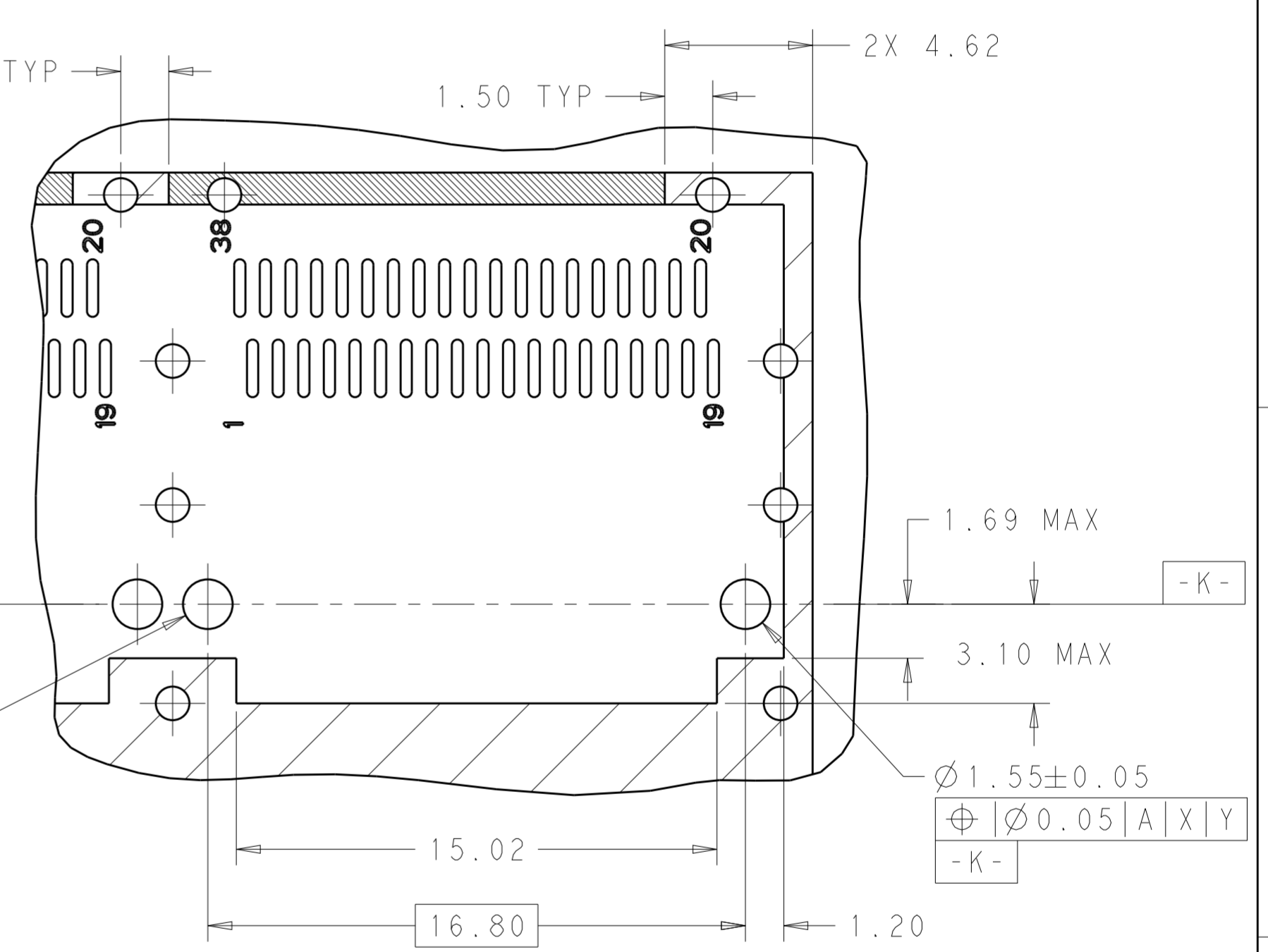
THIS DRAWING IS A CONTROLLED DOCUMENT.		DWN JASON YANG 04JUN2014	TE Connectivity	
		CHK SEAN HAN 08NOV2016		
DIMENSIONS: mm	TOLERANCES UNLESS OTHERWISE SPECIFIED:	APVD -	NAME RECEPTACLE CAGE ASSEMBLY WITH LIGHT PIPES, THRU BEZEL, 1X4, QSFP28	RESTRICTED TO -
0 PLC ±	1 PLC ±0.25	PRODUCT SPEC 108-19428	SIZE A200779	CAGE CODE C-2170746
2 PLC ±0.2	3 PLC ±	APPLICATION SPEC 114-32023	DRAWING NO	
4 PLC ±	ANGLES ±	WEIGHT -	SCALE 3:1	SHEET 4 OF 5
MATERIAL SEE NOTES	FINISH SEE NOTES	CUSTOMER DRAWING	REV A	

THIS DRAWING IS UNPUBLISHED. RELEASED FOR PUBLICATION 20
 © COPYRIGHT 20 BY - ALL RIGHTS RESERVED.

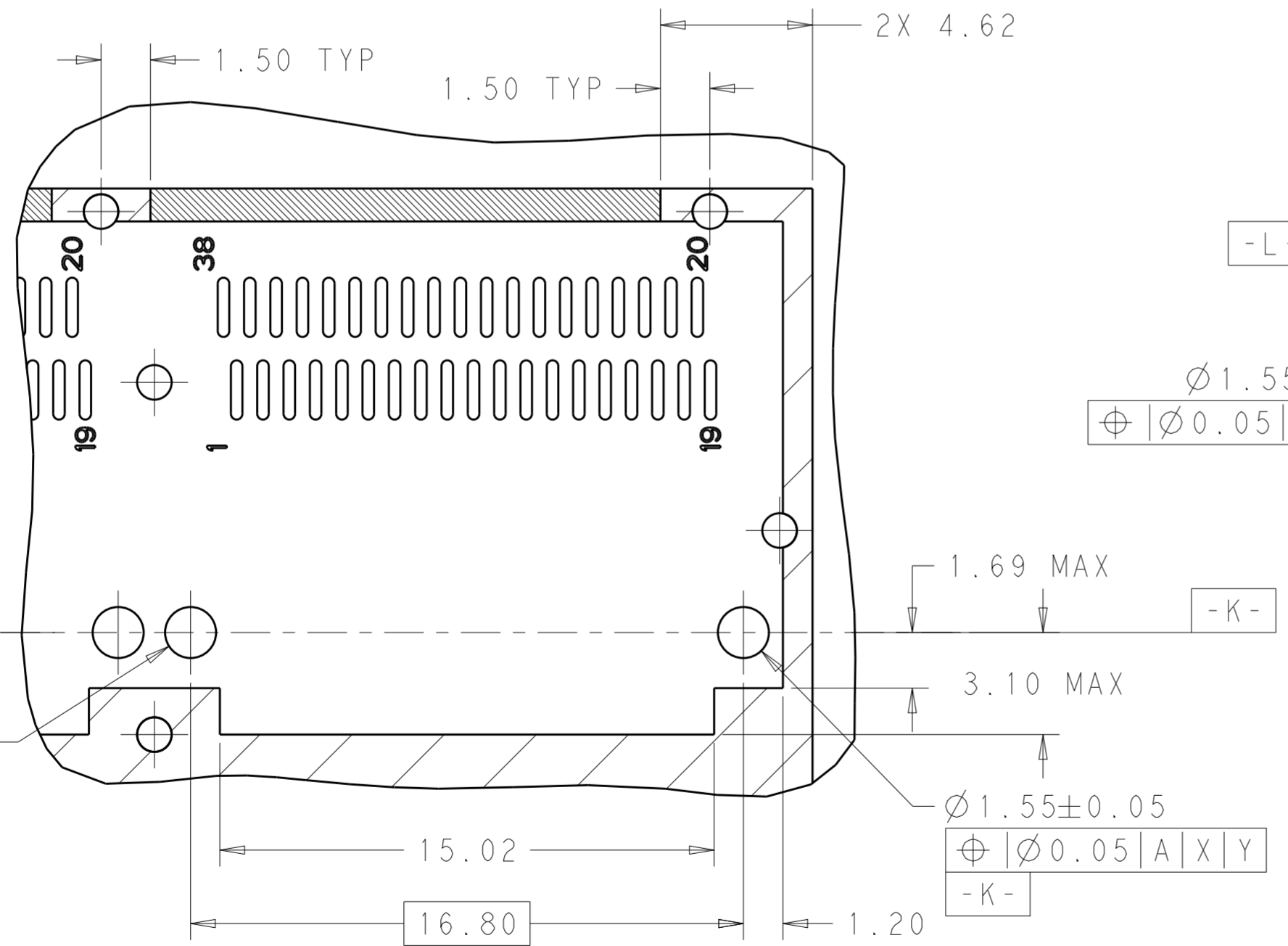
REVISIONS				
P	LTR	DESCRIPTION	DATE	APVD
-	-	SEE SHEET 1	-	-



DETAIL D
SCALE 3:1



DETAIL B
SCALE 6:1



DETAIL A
SCALE 6:1

THIS DRAWING IS A CONTROLLED DOCUMENT.		DWN 04JUN2014 JASON YANG	TE Connectivity	
		CHK 08NOV2016 SEAN HAN		
DIMENSIONS:	TOLERANCES UNLESS OTHERWISE SPECIFIED:	APVD -	NAME	RESTRICTED TO
mm	0 PLC ± 1 PLC ±0.25 2 PLC ±0.2 3 PLC ± 4 PLC ±	PRODUCT SPEC	RECEPTACLE CAGE ASSEMBLY WITH LIGHT PIPES, THRU BEZEL, 1X4, QSFP28	-
	ANGLES ±	APPLICATION SPEC	SIZE	CAGE CODE
MATERIAL	FINISH	114-32023	A200779	DRAWING NO
SEE NOTES	SEE NOTES	WEIGHT -	C-2170746	RESTRICTED TO
		CUSTOMER DRAWING	SCALE 3:1	SHEET 5 OF 5