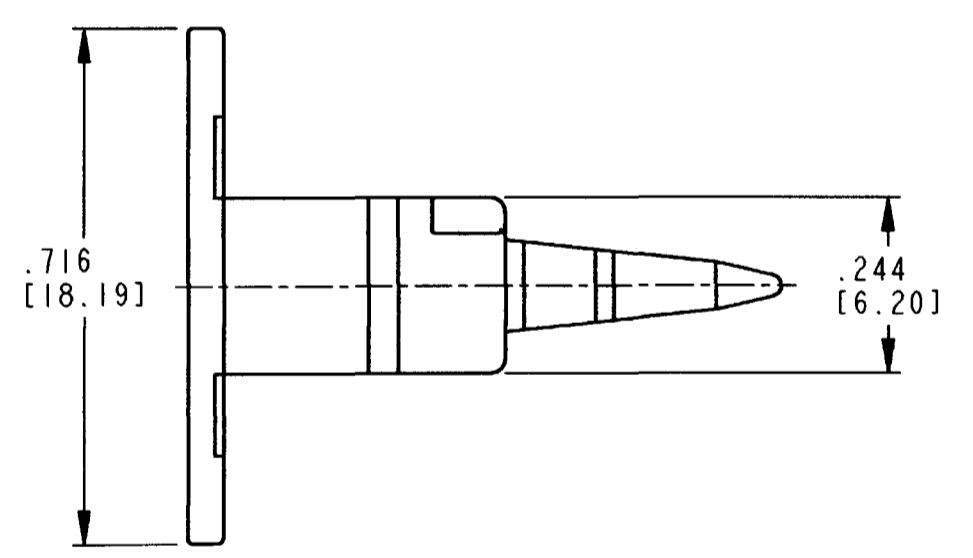
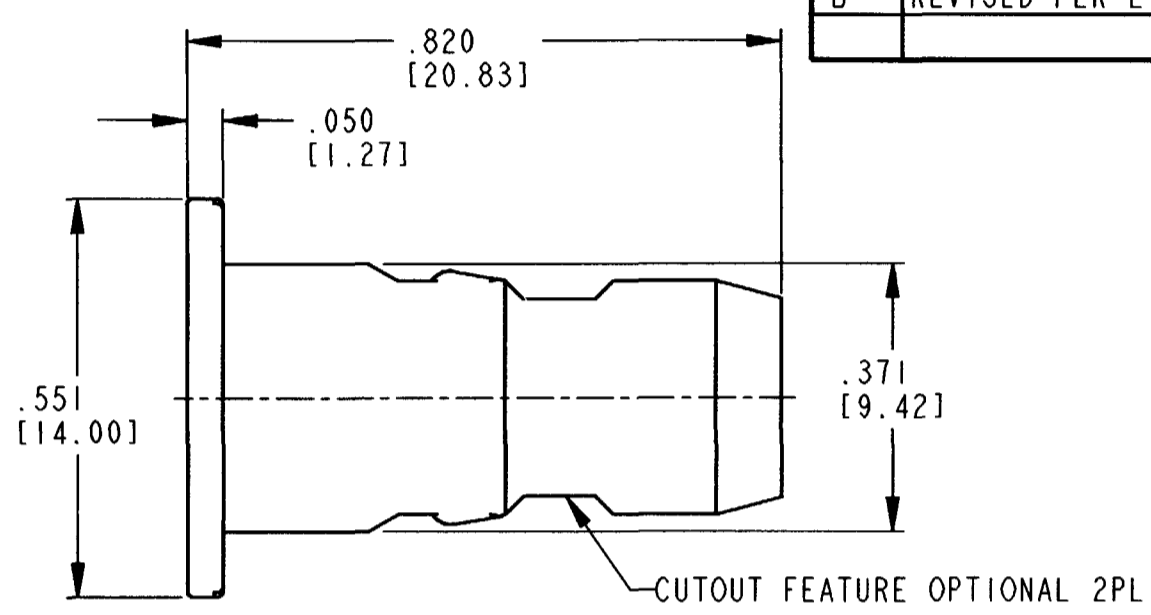
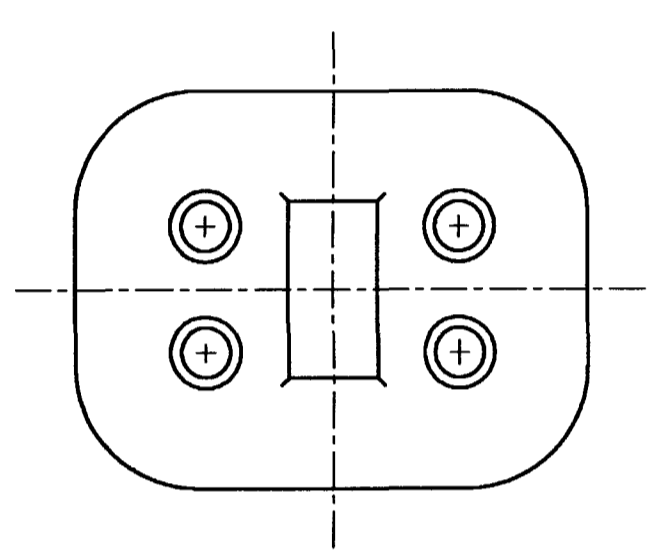


REV
B **W4S**

| REVISIONS | | | |
|-----------|-----------------------------|----------|----------|
| SYM | DESCRIPTION | DATE | APPROVED |
| NC | NEW RELEASE PER E.O. A09299 | 2/12/90 | J.A. |
| A | REVISED PER E.O. P17509 | 11/28/01 | R.D.R. |
| B | REVISED PER E.O. P20114 | 3-4-09 | RDP |



- 4. W4S WEDGE USED WITH DT06-4S PLUG.
- 3. CONSULT FACTORY FOR APPLICATION.
- 2. DIMENSIONS ARE ±.025 [.64] UNLESS OTHERWISE SPECIFIED.

NOTES: 1. ALL DIMENSIONS ARE IN INCHES [MILLIMETERS].

| SIGNATURE & DATE | |
|------------------|--------------------|
| DR | X. SANCHEZ 07NOV01 |
| CHK | B. Bylow 3/4/09 |
| PE | R. Muzzey 1/14/09 |
| APPD | <i>[Signature]</i> |
| SCALE | NONE WT _____ |

**WEDGE LOCK
FOR
4 WAY PLUG
COLOR: ORANGE
DT SERIES**

ENVELOPE

| | |
|---|-----------------------|
| EP | MATL. CODE |
| 3850 INDUSTRIAL AVE. HEMET, CA 92545 | |
| B | W4S |
| DWG SIZE | CODE 11139 SHEET OF |