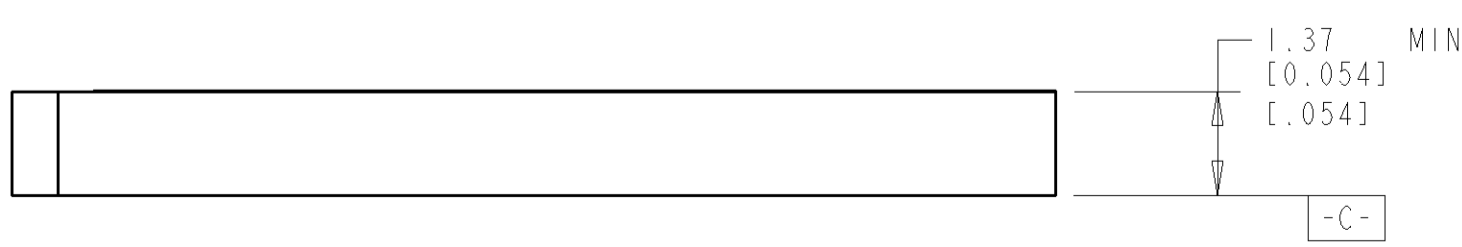
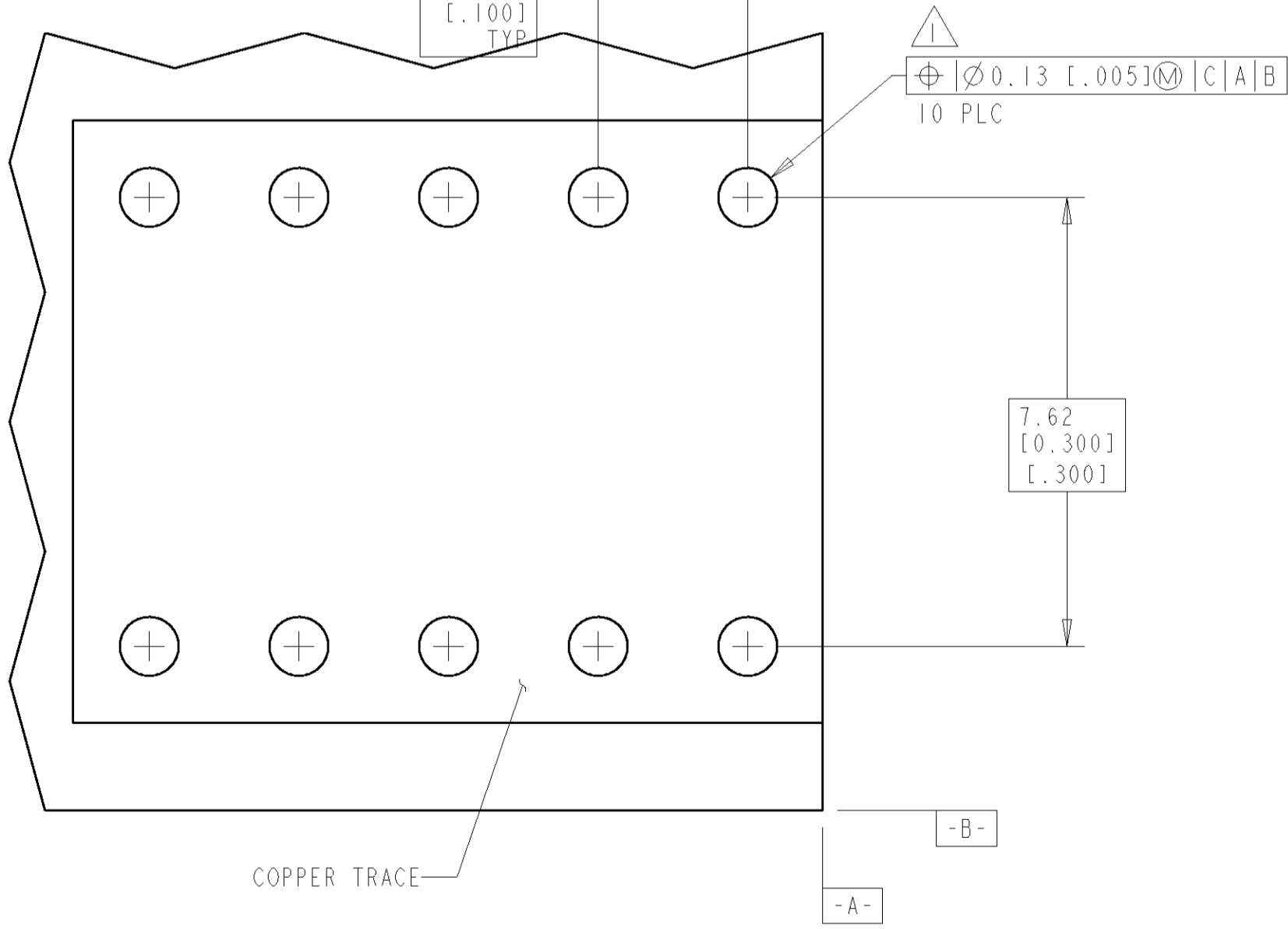
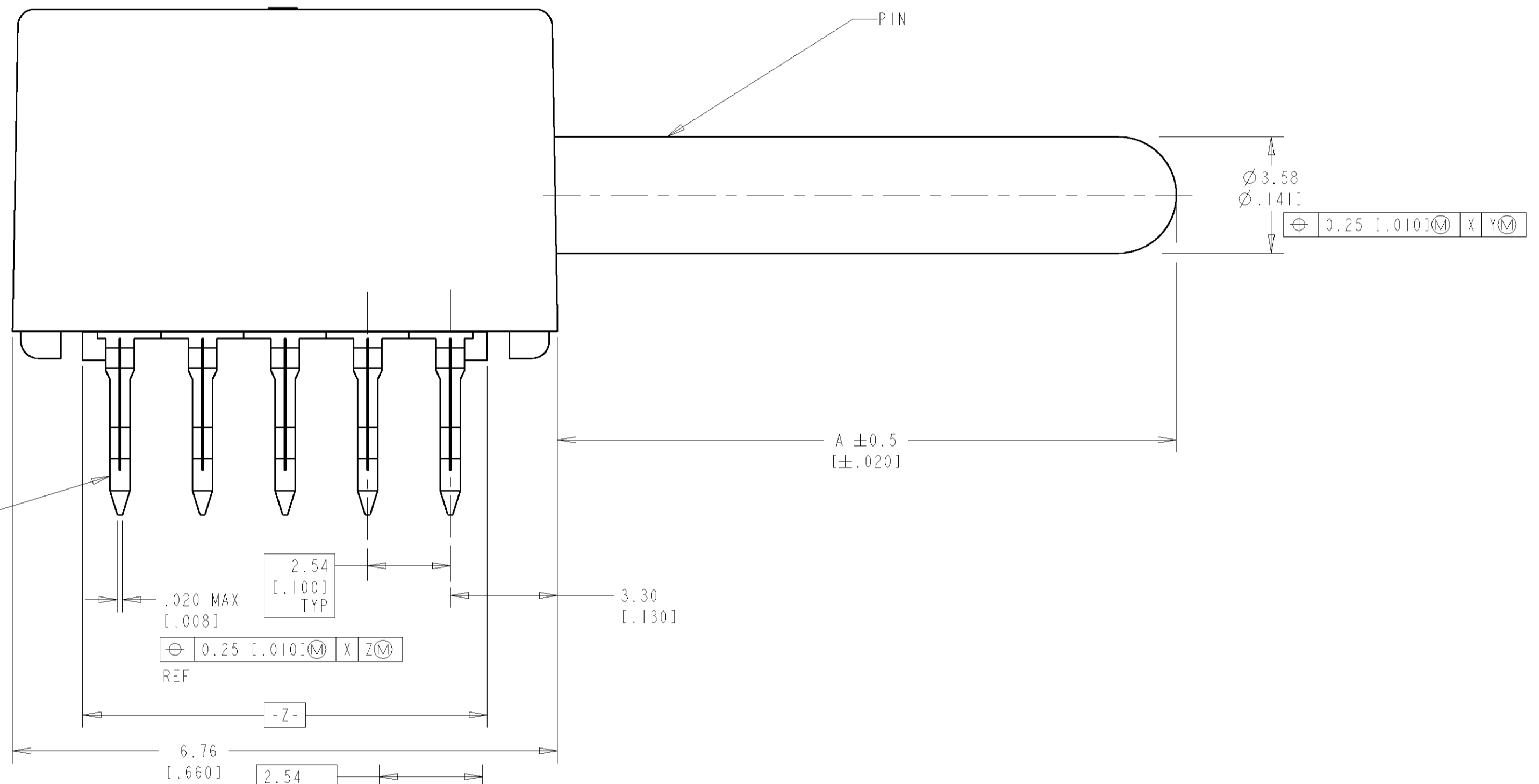
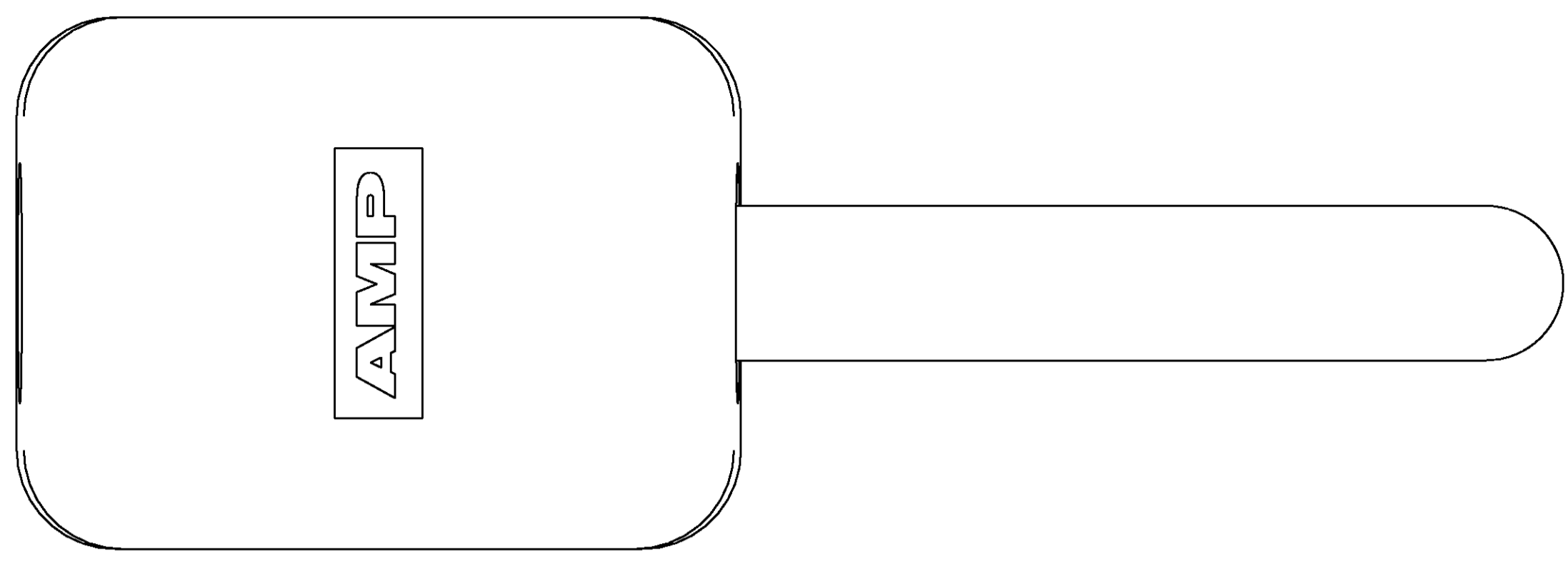
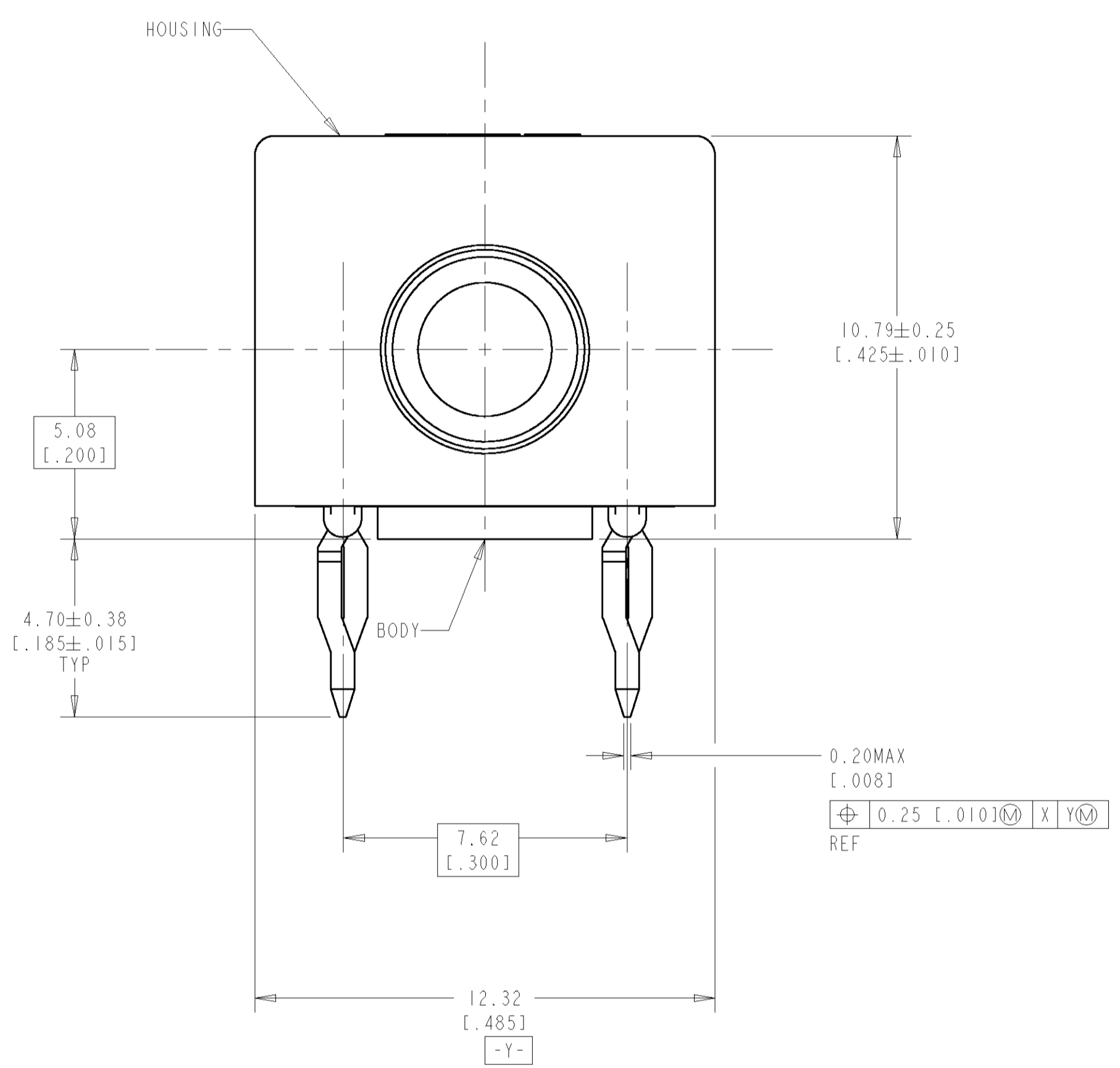


LOC		DIST		REVISIONS			
AD	47	P	LTR	DESCRIPTION	DATE	DWN	APVD
		O		RELEASED PER PPR B009426-0001	20AUG99	DKS	RAP
		A		REVISED PER OUIB-0005-00	02FEB00	DKS	RAP
		B		REVISED PER OUIB-0037-00	10APR00	DKS	RAP
		C		REV PER OS12-0576-04	02JUN2005	RG	AF



RECOMMENDED PC BOARD LAYOUT



- 1 DRILLED HOLE DIAMETER: 1.15 ± 0.03 [.0453 $\pm .001$]
 Cu THICKNESS: 0.03-0.08 [.001-.003]
 Sn THICKNESS: 8 μ m MIN [.00030]
 FINISHED HOLE AFTER PLATING: 0.94-1.09 [.037-.043]
- 2 HOUSING: THERMOPLASTIC BLACK
 BODY: ZINC ALLOY
 ACTION PIN CONTACT: BRONZE ALLOY
 PIN: BRASS ALLOY
- 3 BODY: 5.08 μ m [.00020] MIN SILVER OVER 2.54 μ m [.00010] MIN COPPER
 ACTION PIN CONTACT: 5.08 μ m [.00020] MIN SILVER OVER 1.27 μ m [.000050] MIN NICKEL
- 4 PIN FINISH: 1.27 μ m [.000050] GOLD OVER 1.27 μ m [.000050] MIN NICKEL.
- 5 PIN FINISH: 5.08 μ m [.000200] SILVER OVER 1.27 μ m [.000050] MIN NICKEL.

4	19.05	796137-2
5	19.05	796137-1
PIN PLATING	A	PART NUMBER

DIMENSIONS: mm [INCHES]		TOLERANCES UNLESS OTHERWISE SPECIFIED: 0 PLC \pm 1 PLC \pm 2 PLC ± 0.13 [.005] 3 PLC \pm 4 PLC \pm 5 PLC \pm ANGLES \pm		DWN D BIECHLER DTSEP98 CHK J HUSS DTSEP98 APVD		AMP Incorporated Harrisburg, PA 17105-3608	
MATERIAL: 2		FINISH: 3, 4, 5		PRODUCT SPEC: 108-1624-1 APPLICATION SPEC: 114-11000		NAME: PIN ASSEMBLY, RIGHT ANGLE, BOARD TO BOARD POWER TAP	
WEIGHT:		SIZE: CAGE CODE DRAWING NO: A1 00779 C=796137		RESTRICTED TO:		SCALE: 10:1 SHEET 1 OF 1 REV C	
CUSTOMER DRAWING				AMP			